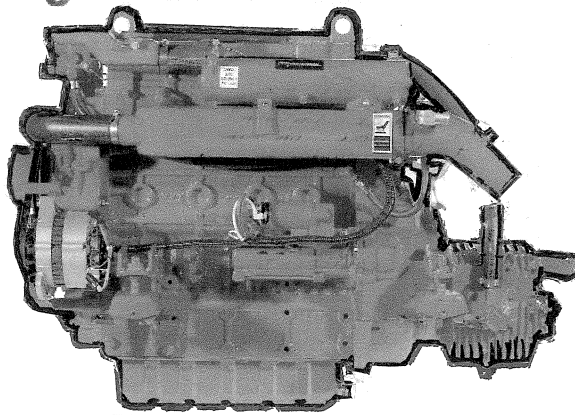




PARTS LIST

MARINE DIESEL ENGINE 65A FOUR

MARINE DIESEL GENERATORS 29.0 EGED - 60Hz / 23.0 EGED - 50Hz Single and Three Phase



PUBLICATION NO. 57352
REVISION 0
SEPTEMBER 2019

WESTERBEKE

WESTERBEKE CORPORATION • 150 JOHN HANCOCK ROAD
MYLES STANDISH INDUSTRIAL PARK • TAUNTON MA 02780
WEBSITE: WWW.WESTERBEKE.COM

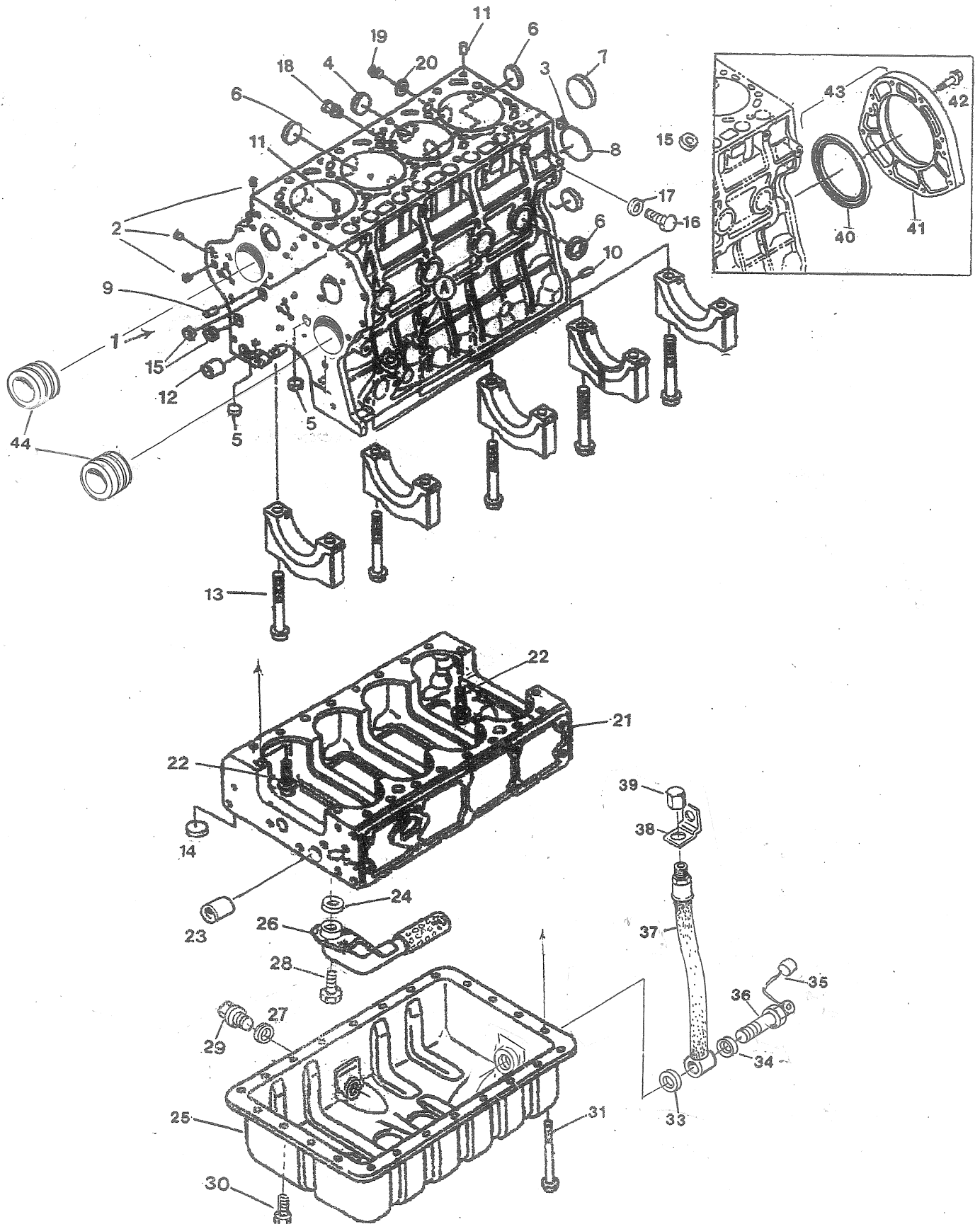


Member National Marine Manufacturers Association

TABLE OF CONTENTS

Cylinder Block / Case	2	Alternator Assembly	28
Parts List.....	3	Parts List.....	29
Cylinder Head / Intake Manifold / Intake Plenum	4	Electrical System.....	30
Parts List.....	5	Parts List.....	31
Rocker Head Cover / Parts List	5A	Instrument Panel / Parts List	32
Piston and Crankshaft / Parts List.....	6	ZF 25M Transmission / Parts List	33
Camshaft and Idler Gears / Parts List.....	7	Borg Warner Hydraulic Transmission	34
Gearcase / Parts List.....	8	Parts List.....	35
Fresh Water Pump / Parts List	9	ZF 63 Transmission	36
Valves and Rockers	10	Parts List.....	37
Parts List.....	11	ZF 45A Transmission.....	38
Injection Pump Housing / Drive.....	12	Parts List.....	39
Parts List.....	13	Back-End Mounting Assembly.....	40
Governor System Fork Lift Assembly	14	Parts List.....	41
Parts List.....	15	Optional / Miscellaneous / Parts List	42
Governor Assembly / Parts List	16		
Injectors, Glow Plugs and Fuel Lines / Parts List...17			
		29.0 EGED / 23.0 EGED GENERATOR PARTS	
Fuel Injection / Fuel Lift Pump / Fuel Filter	18	50 Amp 12V Alternator Assembly / Parts List	43
Parts List.....	19	Generator Components	44
Coolant Assembly / Exhaust Manifold	20	Parts List.....	45
Parts List.....	21	Generator Mounts / Parts List.....	46
Raw Water Pump / Parts List	22	Front Belt Cover / Parts List.....	47
Thermostat Assembly / Parts List	23	Generator Electrical System	
Oil Cooler Assembly / Remote Oil Filter	24	Control Panel Components (DC Side)	48
Parts List.....	25	Parts List.....	49
Fuel Pump, DC Breaker, PreHeat Solenoid, Inlet Filter, Oil Pressure Switch / Parts List	26	Control Panel Components (AC Side)	50
Throttle / Stop Cable Assembly / Parts List.....	27	Parts List.....	51
		SoundGuard SST / Parts List.....	52

CYLINDER BLOCK, CRANKCASE, and OIL PAN

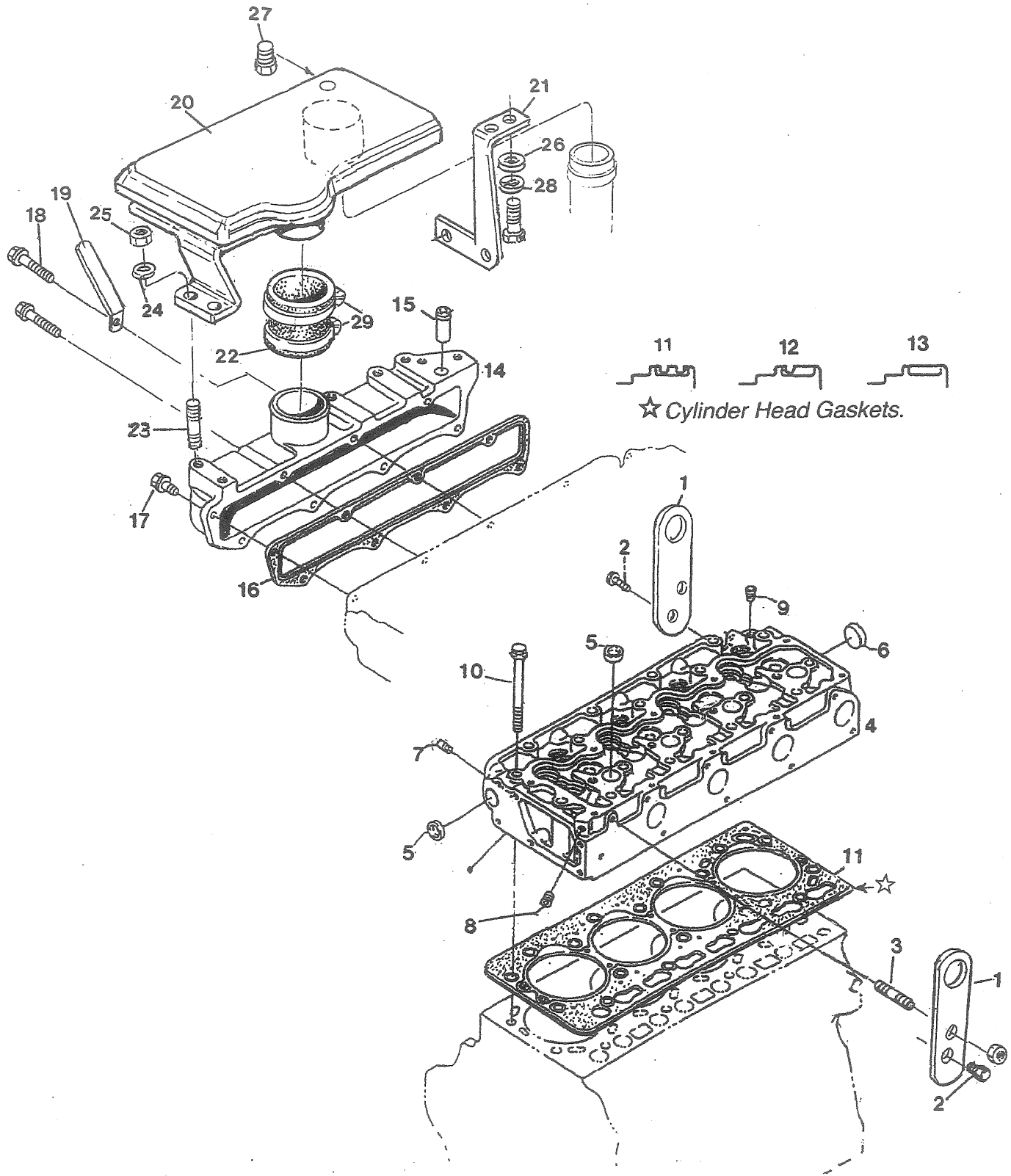


WESTERBEKE
Engines & Generators

CYLINDER BLOCK, CRANKCASE, and OIL PAN

REF	PN	NAME	QUAN	REMARKS
1	-----	CRANKCASE	1	ASSEMBLY
2	302587	PLUG	3	GALLERY
3	053272	PLUG	1	GALLERY
4	200956	PLUG	1	CORE
5	302690	PLUG	4	EXPANSION
6	299897	PLUG	7	EXPANSION
7	299958	PLUG	1	EXPANSION
8	053274	PLUG	1	EXPANSION
9	053121	PIN	1	ALIGNING
10	053122	PIN	4	ALIGNING
11	301485	PIN	2	ALIGNING
12	053207	DOWEL	1	GEAR CASE
13	053151	BOLT	10	BEARING CAP
14	299897	PLUG	1	EXPANSION
15	302690	PLUG	1	EXPANSION
16	298658	PLUG	1	OIL
17	298659	WASHER	1	SEALING
18	053218	NIPPLE	1	HOSE
19	053124	PLUG	1	BLOCK DRAIN
20	053113	WASHER	1	SEALING
21	053144	CRANKCASE	1	LOWER
22	055194	CAPSCREW	16	M10 X 1.25 X 30MM
23	053208	DOWEL	1	GEAR CASE
24	053115	O-RING	1	SEALING
25	053145	SUMP	1	OIL
26	053202	PICK-UP	1	OIL
27	300612	WASHER	2	SEALING
28	048463	CAPSCREW	2	M8 X 1.25 X 12MM
29	300151	PLUG	1	M22 X 1.25
30	053269	BOLT	20	OIL SUMP
31	-----	BOLT	4	SUMP TO BLOCK
32	301023	ADAPTER	1	SUMP DRAIN
33	036647	WASHER	1	BANJO SEALING
34	036493	WASHER	1	BANJO SEALING
35	037393	SEAL	1	CRIMP + WIRE
36	036823	BOLT	1	BANJO-SUMP M12
37	030846	HOSE	1	SUMP OIL DRAIN
38	024922	BRACKET	1	SUMP DRAIN HOSE
39	024905	CAP	1	1/4 NPT
40	053150	SEAL	1	OIL CRANSHAFT REAR
41	-----	HOUSING	1	REAR OIL SEAL
42	033643	CAPSCREW	8	M8 X 1.25 X 30MM
43	055444	FLANGE	1	OIL SEAL ASSEMBLY

CYLINDER HEAD / INLET MANIFOLD & INTAKE PLENUM



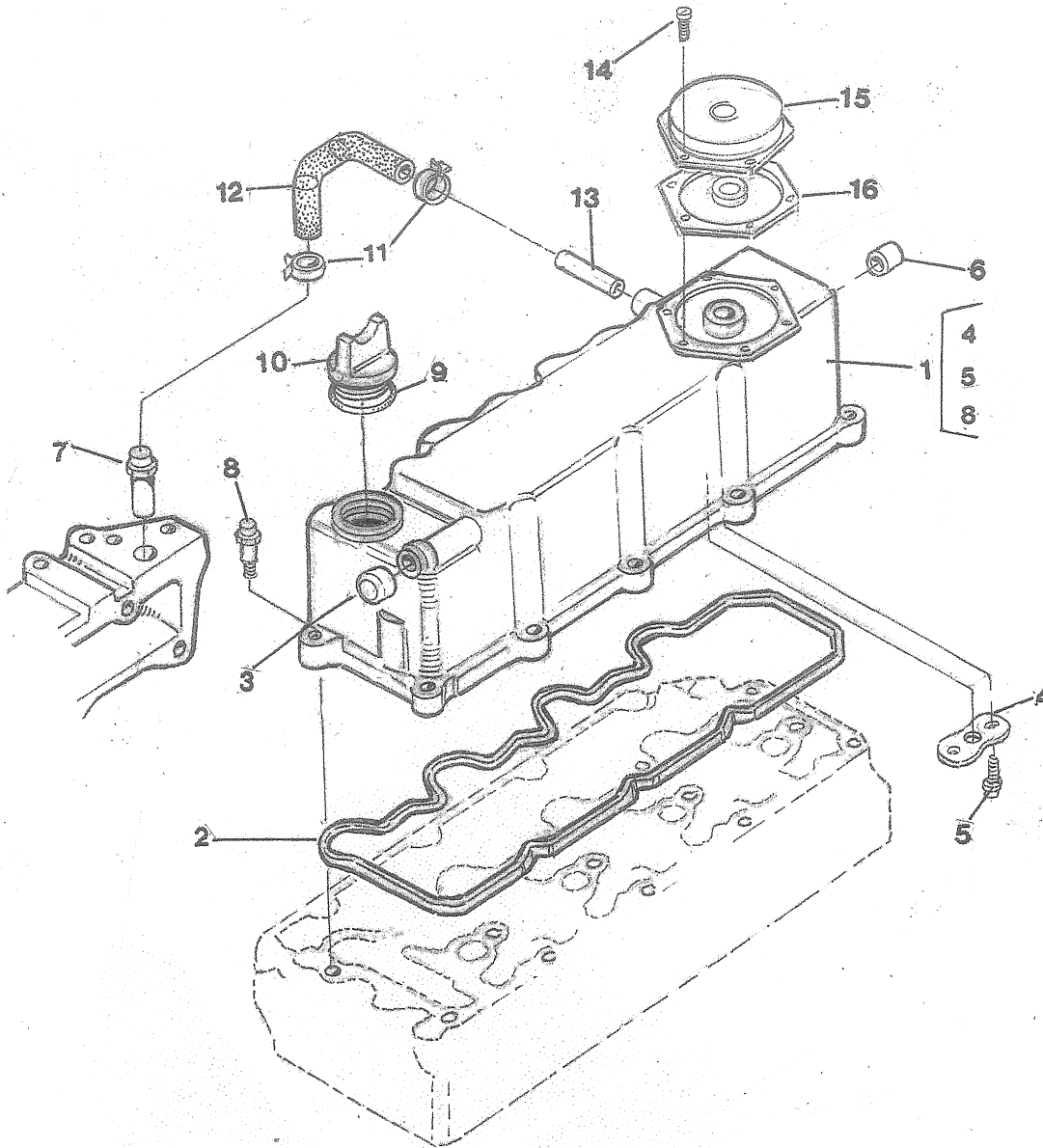
CYLINDER HEAD / INLET MANIFOLD & INTAKE PLENUM

REF	PN	NAME	QUAN	REMARKS
1-1	052911	EYE	1	LIFTING-FRONT
1-2	052912	EYE	1	LIFTING-REAR
2	048463	CAPSCREW	3	M8 X 1.25 X 14MM FLANG
3-1	200657	STUD	1	M8
3-2	033668	NUT	1	M8
4	053303	HEAD	1	CYLINDER
5	299898	PLUG	5	EXPANSION
6	299355	PLUG	1	EXPANSION 35MM BRASS
7	302589	PLUG	4	SEALING
8	301550	PLUG	1	SEALING
9	302587	PLUG	1	SEALING
10	053146	BOLT	18	CYLINDER HEAD HOLD DOWN
11	053283	GASKET	1	HEAD 0.90MM
12	053284	GASKET	1	HEAD 1.00MM
13	053285	GASKET	1	HEAD 1.05MM
14	053159	MANIFOLD	1	INTAKE
15	200747	CONNECTOR	1	BREATHER HOSE
16	053160	GASKET	1	INTAKE MANIFOLD
17	033654	CAPSCREW	5	M8 X 1.25 X 20MM
18	033649	CAPSCREW	3	M8 X 1.25 X 65MM
19	053131	CLAMP	1	HOSE SUPPORT
20	056200	PLENUM	1	AIR INTAKE
21	056101	BRACKET	1	FRONT SUPPORT
22	052934	HOSE	1	3 INCH ID - 2-3/4 INCH LONG
23	037794	STUD	2	M10 X 1.25 X 1.6 INCHES
24	019262	LOCKWASHER	2	M10
25	024950	NUT	2	M10 X 1.25
26	031784	WASHER	2	FLAT M6
27	019369	PLUG	1	1/8 NPT BRASS
28	031783	LOCKWASHER	2	M6
29	022559	CLAMP	2	HOSE #40

BLANK

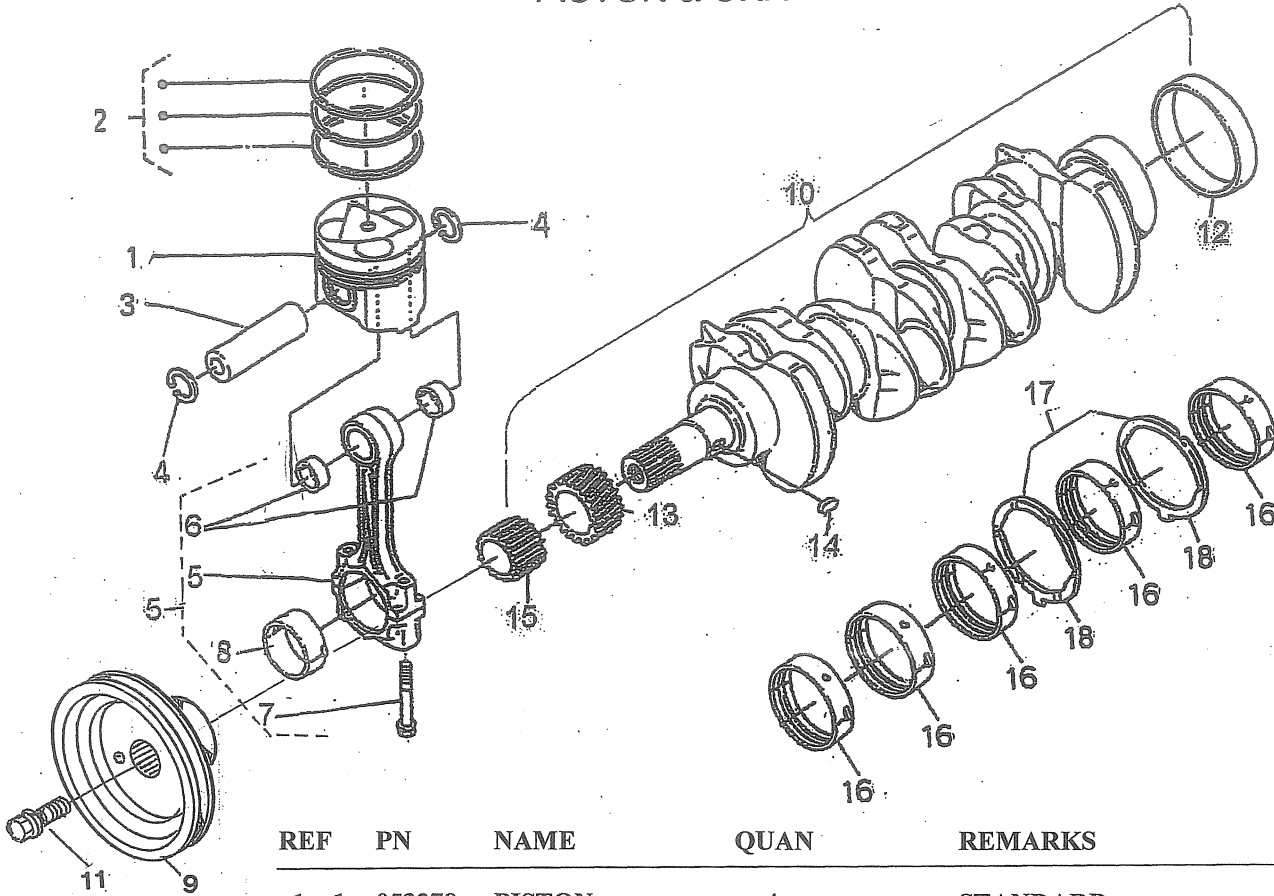
PAGE

ROCKER (HEAD) COVER



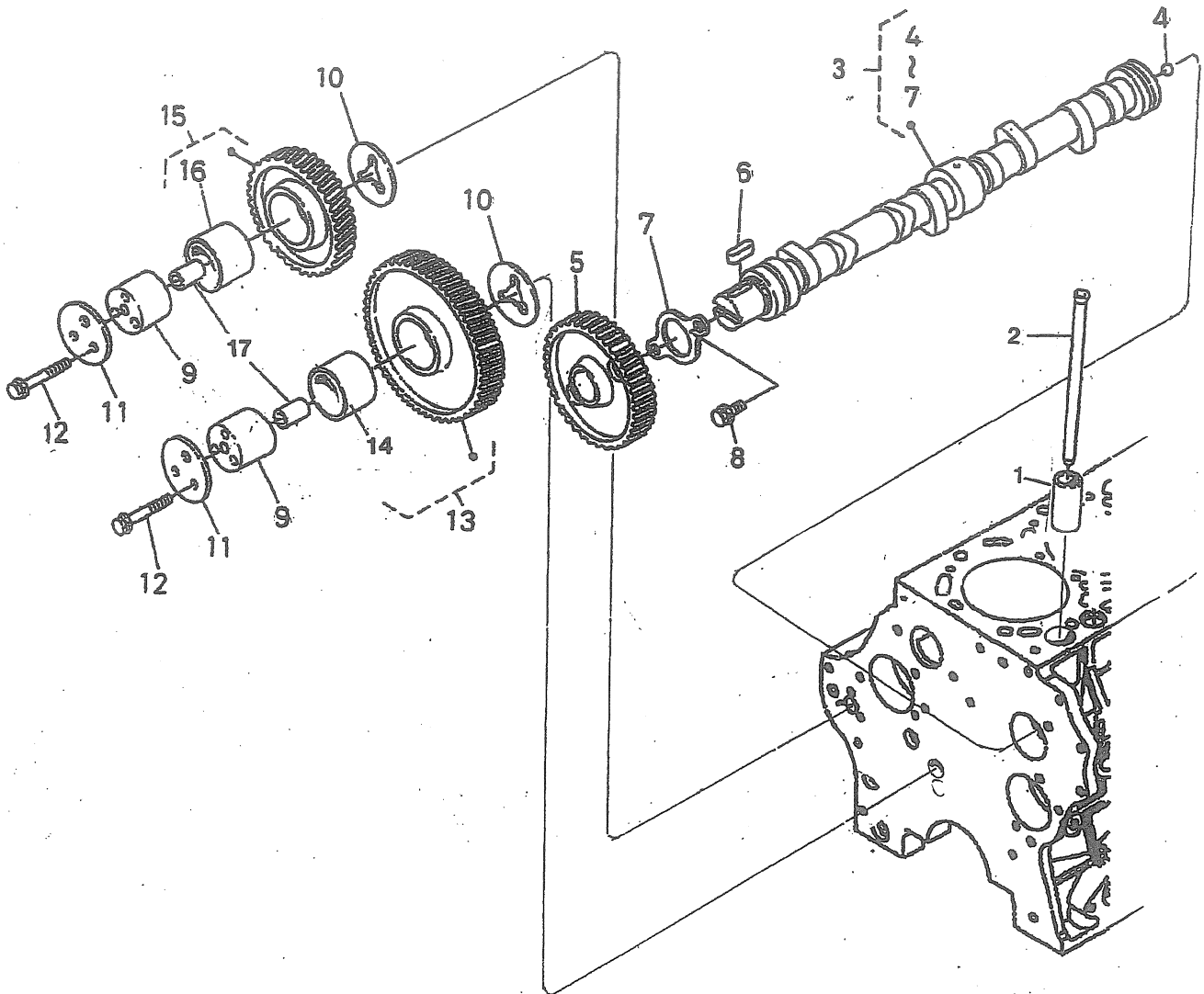
REF	PN	NAME	QUAN	REMARKS
1	053174	ROCKER COVER	1	ASSEMBLY
2	053175	GASKET	1	ROCKER (HEAD) COVER
3	053125	SEALING CAP	1	-----
4	055263	SHIELD	1	OIL BREATHER
5	-----	SCREW	2	PAN HEAD
6	058125	SEALING CAP	1	-----
7	200747	NIPPLE	1	BREATHER HOSE
8	053268	BOLT	10	-----
9	053120	O-RING	1	SEALING
10	053205	OIL FILLER CAP	1	WITH O-RING
11	017298	CLAMP	2	HOSE #6
12	053157	BREATHER HOSE	1	-----
13	200747	BREATHER TUBE	1	-----
14	-----	SCREW	6	PAN HEAD
15	053152	BREATHER COVER	1	-----
16	053155	BREATHER VALVE	1	-----

PISTON & CRANKSHAFT



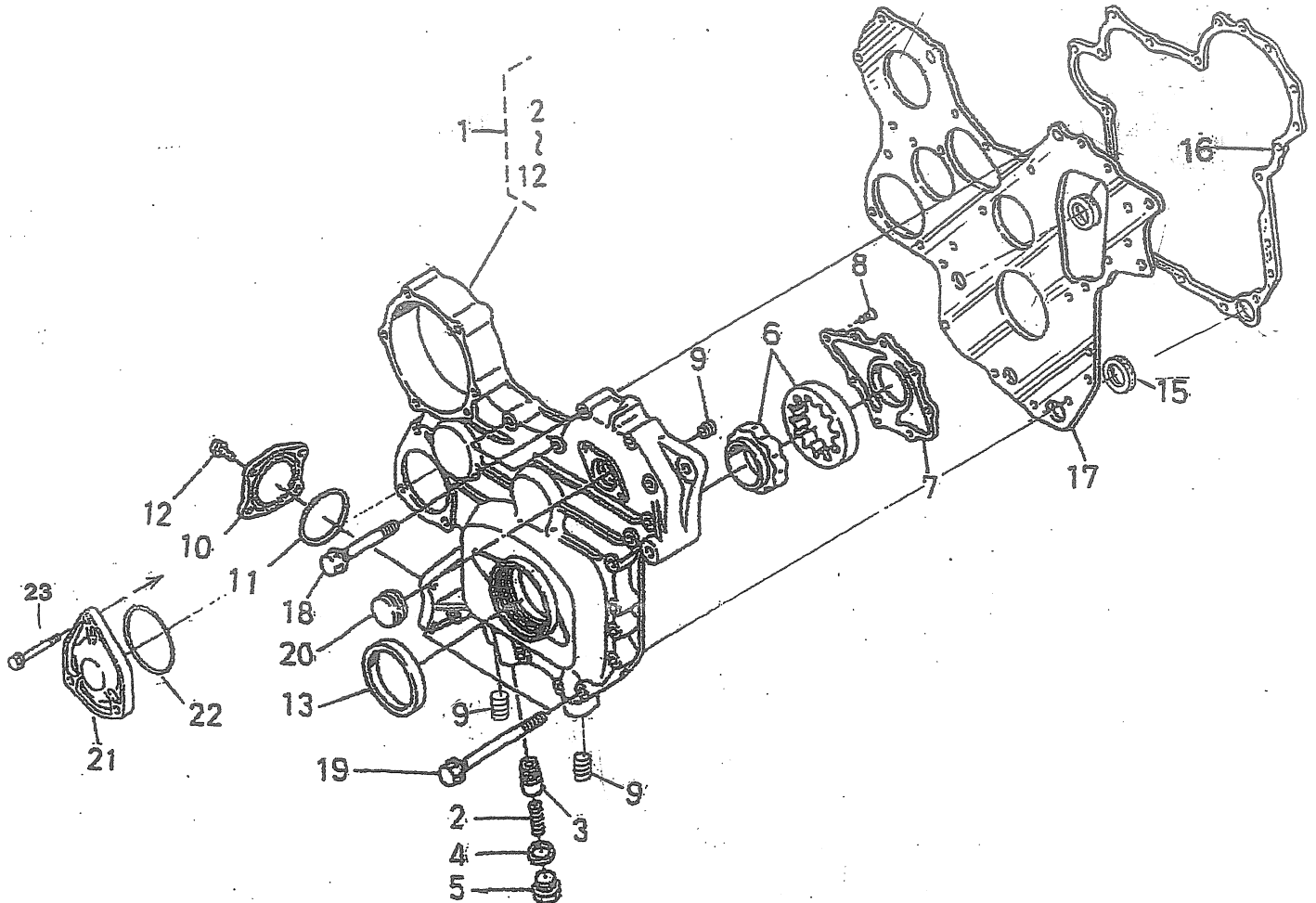
REF	PN	NAME	QUAN	REMARKS
1-1	053278	PISTON	4	STANDARD
1-2	053279	PISTON	4	0.5MM OS
2-1	053276	RING	4	STANDARD SET
2-2	053277	RING	4	SET 0.5MM OS
3	053183	WRIST PIN	4	PISTON
4	053107	RING	8	WRIST PIN RETAINING
5	053290	ROD	4	CONNECTING
6	053184	BUSHING	8	WRIST PIN
7	053185	BOLT	8	CONNECTING ROD
8-1	055215	BEARING SET	4	ROD - STD BLUE
8-2	055216	BEARING SET	4	ROD - STD YELLOW
8-3	055217	BEARING SET	4	ROD - 0.2MM GREEN OS
8-4	055218	BEARING SET	4	ROD - 0.4MM RED OS
9	053319	PULLEY	1	FRONT CRANKSHAFT
10	053295	CRANKSHAFT	1	ASSEMBLY
11	053267	BOLT	1	CRANKSHAFT PULLEY
12	053186	RING	1	WEAR
13	053195	GEAR	1	CRANKSHAFT
14	299549	KEY	1	FEATHER
15	053211	GEAR	1	OIL PUMP DRIVE
16-1	055219	BEARING	5	MAIN - STD
16-2	055220	BEARING	5	MAIN - 0.2MM OS
16-3	055221	BEARING	5	MAIN - 0.4MM OS
17-1	055202	THRUST WASHER	2	UPPER - STD
17-2	055204	THRUST WASHER	2	UPPER - 0.2MM OS
17-3	053190	THRUST WASHER	2	UPPER - 0.4MM OS
18-1	055203	THRUST WASHER	2	LOWER - STD
18-2	055206	THRUST WASHER	2	LOWER - 0.2MM OS
18-3	053192	THRUST WASHER	2	LOWER - 0.4MM OS

CAMSHAFT & IDLER GEARS



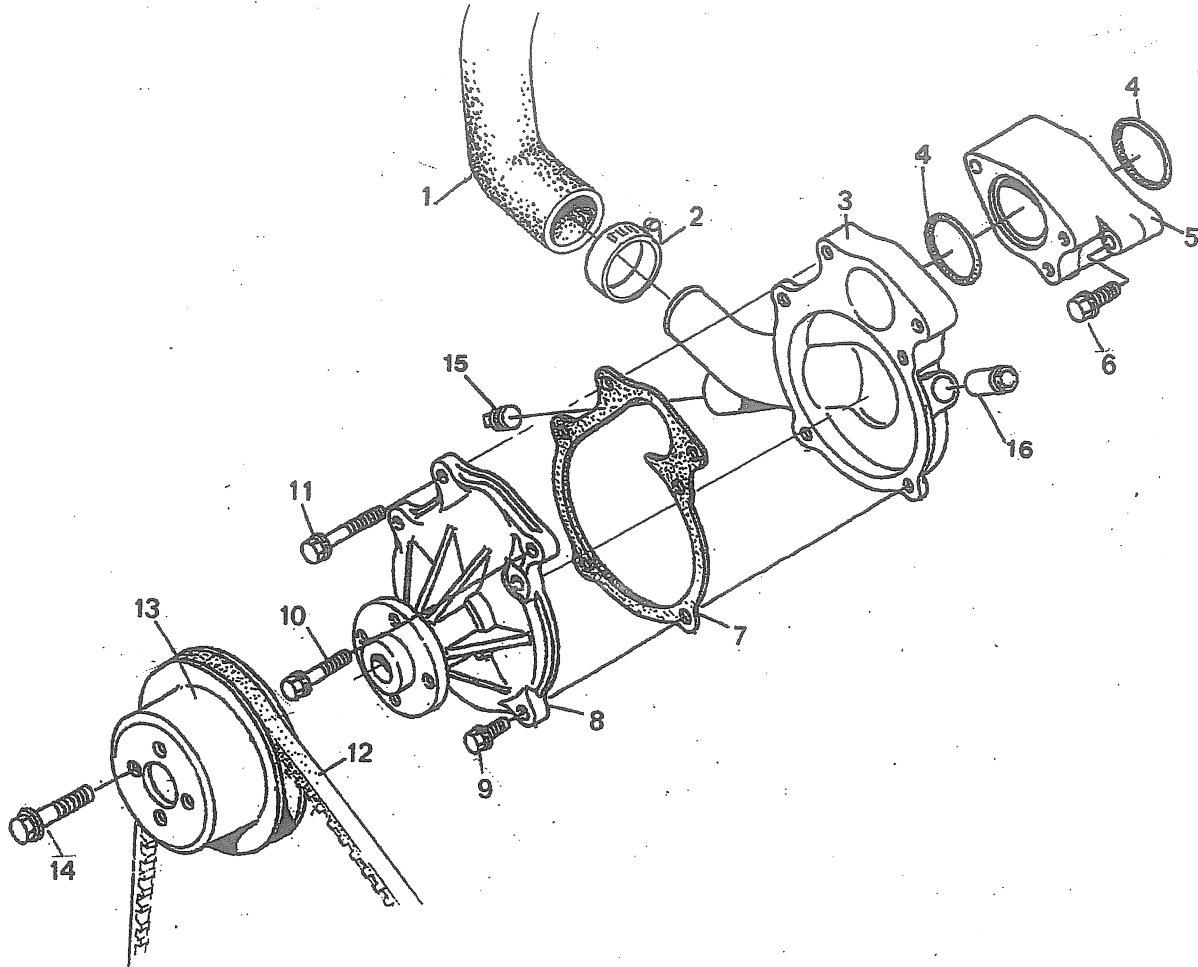
REF	PN	NAME	QUAN	REMARKS
1	298741	TAPPET	8	-----
2	053176	PUSHROD	8	-----
3	053177	CAMSHAFT	1	
4	053127	BALL	1	CAMSHAFT
5	053182	GEAR	1	CAMSHAFT
6	299531	KEY	1	FEATHER
7	053181	PLATE	1	CAMSHAFT RETAINING
8	048463	CAPSCREW	2	M 8X14
9	053196	SHAFT	2	IDLER GEAR
10	053197	PLATE	2	IDLER GEAR
11	053198	PLATE	2	IDLER GEAR
12	033648	CAPSCREW	6	M 8X55
13	053193	GEAR	1	IDLER WITH BUSHING
14	053200	BUSHING	1	IDLER GEAR
15	053194	GEAR	1	IDLER WITH BUSHING
16	053200	BUSHING	1	IDLER GEAR
17	053199	PIN	2	IDLER GEAR

GEAR CASE ASSEMBLY



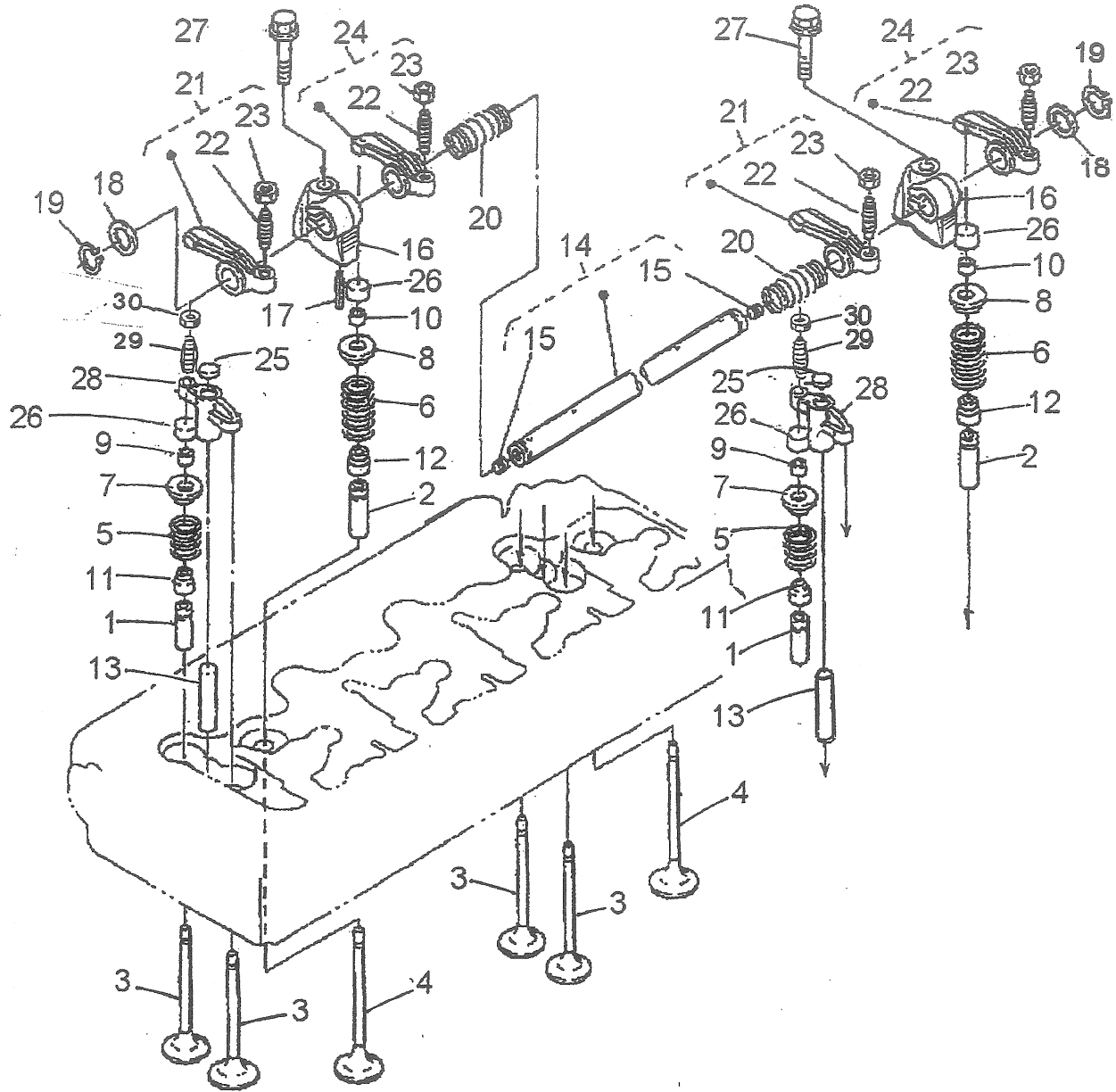
REF	PN	NAME	QUAN	REMARKS
1	053147	CASE	1	GEAR INLC. #2-#12
2	053215	SPRING	1	OIL RELIEF VALVE
3	053214	VALVE	1	OIL RELIEF
4	300612	WASHER	1	SEALING
5	053216	PLUG	1	OIL RELIEF VALVE
6	053209	ROTOR	1	OIL PUMP ASSEMBLY
7	053210	COVER	1	OIL PUMP
8	045769	SCREW	8	M6 X 16MM
9	053273	PLUG	2	OIL GALLERY
10	053204	COVER	1	OIL PUMP
11	301763	O-RING	1	COVER SEALING
12	045391	CAPSCREW	4	M8 X 1.25 X 20MM FLANGE
13	053286	SEAL	1	OIL FRONT
14	053114	O-RING	1	SEALING
15	053116	O-RING	1	SEALING
16	053148	GASKET	1	PLATE TO CRANKCASE
17	053149	PLATE	1	GEAR CASE
18	033648	BOLT	13	GEAR CASE
19	042106	BOLT	2	GEAR CASE
20	200865	PLUG	1	GEAR CASE
21	055485	COVER	1	S/W PUMP DRIVE
22	053275	O-RING	1	COVER SEALING
23	042106	CAPSCREW	3	M8 X 1.25 X 75MM

FRESH WATER PUMP



REF	PN	NAME	QUAN	REMARKS
1	052596	HOSE	1	EXH MANIFOLD TO PUMP
2	038193	CLAMP	1	#28 HOSE
3	053316	HOUSING	1	F/W PUMP
4	053117	O-RING	2	SEALING
5	053318	ADAPTER	1	HOUSING TO BLOCK
6	033645	CAPSCREW	1	M8 X 1.25 X 40 MM
7	053265	GASKET	1	F/W PUMP TO HOUSING
8	053315	F/W PUMP	1	COMPLETE ASSEMBLY
9	033643	CAPSCREW	3	M8 X 1.25 X 30MM
10	033709	CAPSCREW	2	M8 X 1.25 X 80MM
11	055193	CAPSCREW	1	M8 X 1.25
12	053308	BELT	1	COG
13	053266	PULLEY	1	F/W PUMP
14	048463	CAPSCREW	4	M8 X 1.25 X 14MM
15	053126	PLUG	1	
16	200747	NIPPLE	1	BY-PASS HOSE

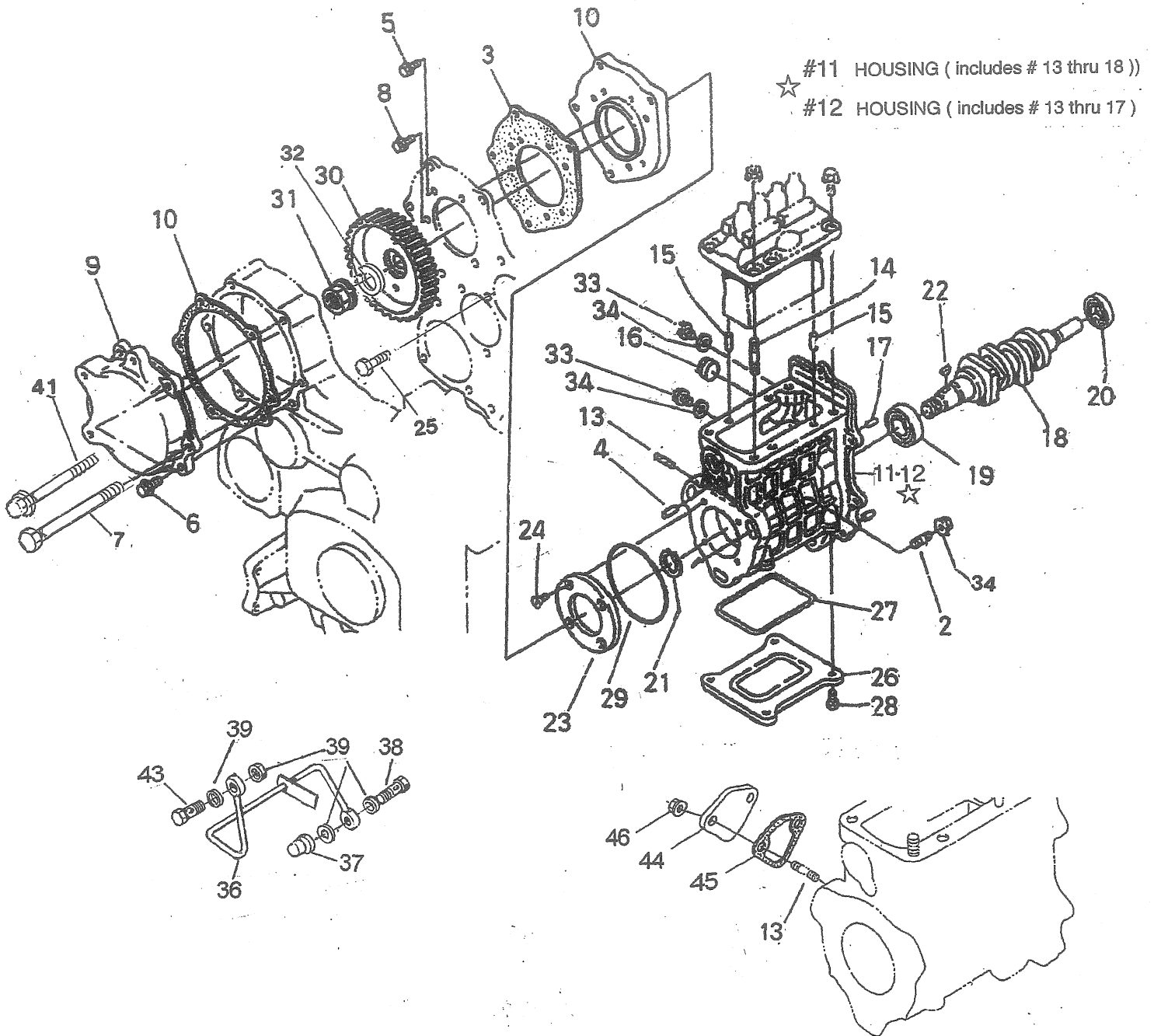
VALVES AND ROCKERS



VALVES AND ROCKERS

REF	PN	NAME	QUAN	REMARKS
1	200753	GUIDE	8	VALVE INTAKE
2	054124	GUIDE	4	VALVE EXHAUST
3	053162	VALVE	8	INTAKE
4	053163	VALVE	4	EXHAUST
5	053165	SPRING	8	INTAKE VALVE
6	298711	SPRING	4	EXHAUST VALVE
7	299442	SEAT	8	VALVE SPRING
8	298712	RETAINER	4	VALVE SPRING
9	299440	COLLETT	8	VALVE KEEPER
10	298713	COLLETT	4	VALVE KEEPER
11	200647	SEAL	8	VALVE STEM INT
12	053164	SEAL	4	VALVE STEM EXH
13	053166	SHAFT	4	VALVE
14	053169	SHAFT	1	ROCKER ASSY
15	053106	SET SCREW	2	ROCKER SHAFT PLUG
16	053172	BRACKET	4	ROCKER SHAFT
17	200638	PIN	1	SPRING 5MM X 28MM
18	053173	WASHER	2	ROCKER SHAFT
19	053108	CIRCLIP	2	RETAINING EXTERNAL
20	053288	SPRING	3	ROCKER SHAFT
21	053168	ROCKER	4	ARM ASSY
22	301707	SCREW	8	ROCKER ADJUSTING
23	301708	NUT	8	ROCKER SCREW
24	053170	ROCKER	4	ARM ASSY
25	053167	PAD	4	VALVE
26	298715	CAP	4	VALVE STEM WEAR
27	055195	CAPSCREW	4	M10 X 1.25 X 60MM FLG
28	053287	ARM	4	VALVE BRIDGE
29	053171	SCREW	4	BRIDGE ADJUSTING
30	200758	NUT	4	ADJUSTING SCREW

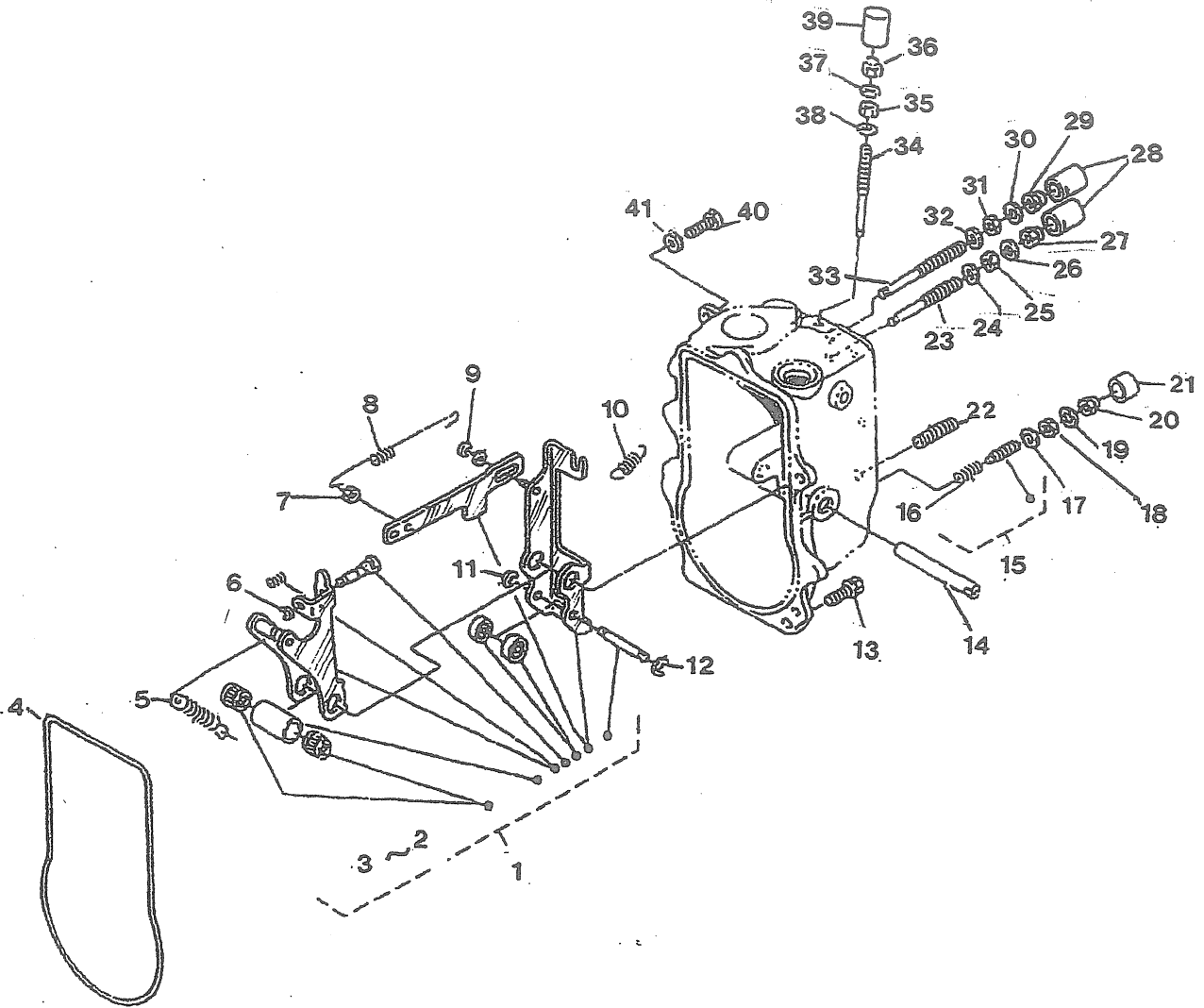
INJECTION PUMP HOUSING & DRIVE



INJECTION PUMP HOUSING & DRIVE

REF	PN	NAME	QUAN	REMARKS
1	053228	FLANGE	1	INJECTION PUMP MOUNT
2	015830	STUD	3	M8 X 1.25 X 25MM
3	053229	GASKET	1	INJECTION PUMP FLANGE
4	041417	DOWEL	1	6MM X 14MM
5	048463	CAPSCREW	3	M8 X 1.25 X 14MM
6	033642	CAPSCREW	1	M8 X 1.25 X 25MM
7	042106	CAPSCREW	4	M8 X 1.25 X 75MM
8	043064	CAPSCREW	3	M6 X 1.0 X 14MM
9	053232	COVER	1	INJ DRIVE GEAR
10	053233	GASKET	1	COVER
11	053310	HOUSING	1	INC. ITEMS 13-18
12	053225	HOUSING	1	INC. ITEMS 13-17
13	301507	STUD	2	M6 X 1.0 X 16MM
14	200838	STUD	3	TIMING CASE
15	299359	DOWEL	2	6MM X 9MM
16	053245	PLUG	1	FUEL RACK ACCESS
17	045389	DOWEL	2	5MM X 12MM
18	053178	CAMSHAFT	1	INJECTION PUMP
19	053309	BEARING	1	INJ CAMSHAFT
20	053128	BEARING	1	INJ CAMSHAFT
21	299537	CIRCLIP	1	EXTERNAL
22	053132	KEY	1	WOODRUFF
23	053289	STOPPER	1	INJ PUMP CAM
24	-----	SCREW	4	-----
25	048463	CAPSCREW	2	M8 X 1.25 X 14MM
26	053179	COVER	1	HOUSING-LOWER
27	053180	GASKET	1	HOUSING COVER
28	-----	BOLT	4	-----
29	053235	O-RING	1	INJ PUMP HOUSING
30	053227	GEAR	1	INJ PUMP DRIVE
31	055242	NUT	1	INJ PUMP DRIVE GEAR
32	055198	CIRCLIP	1	EXTERNAL
33	048463	CAPSCREW	2	M8 X 1.25 X 14MM
34	298659	WASHER	2	SEALING
35	033668	NUT	3	M8
36	055231	LINE	1	OIL FEED
37	055230	CONNECTOR	1	LINE TO BLOCK
38	055223	BOLT	1	BANJO
39	055224	WASHER	4	SEALING
40	033668	NUT	1	M8
41	055232	BOLT	1	FLANGE
42	298659	GASKET	2	SEALING
43	055245	BOLT	1	BANJO
44	302744	COVER	1	FUEL PUMP (MECHANICAL)
45	200861	GASKET	1	COVER
46	036211	NUT	2	M6 FLANGE

GOVERNOR SYSTEM FORK LEVER ASSEMBLY

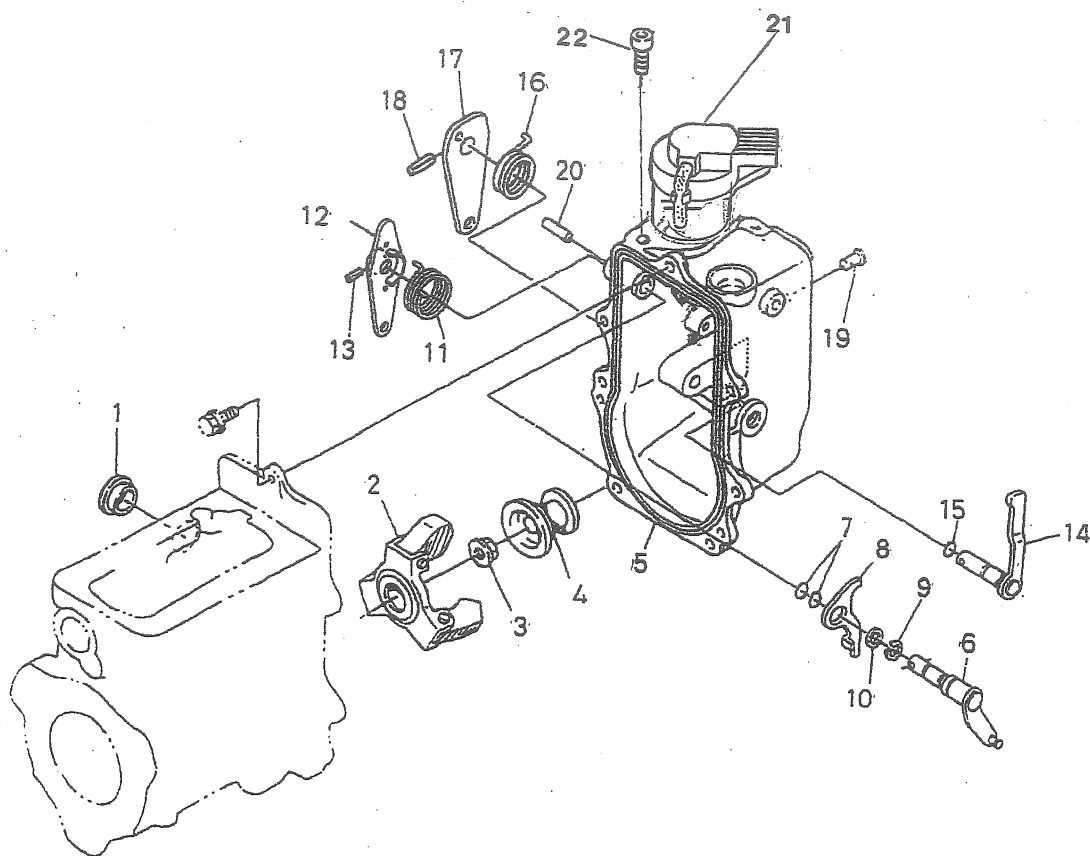


5

GOVERNOR SYSTEM FORK LEVER ASSEMBLY

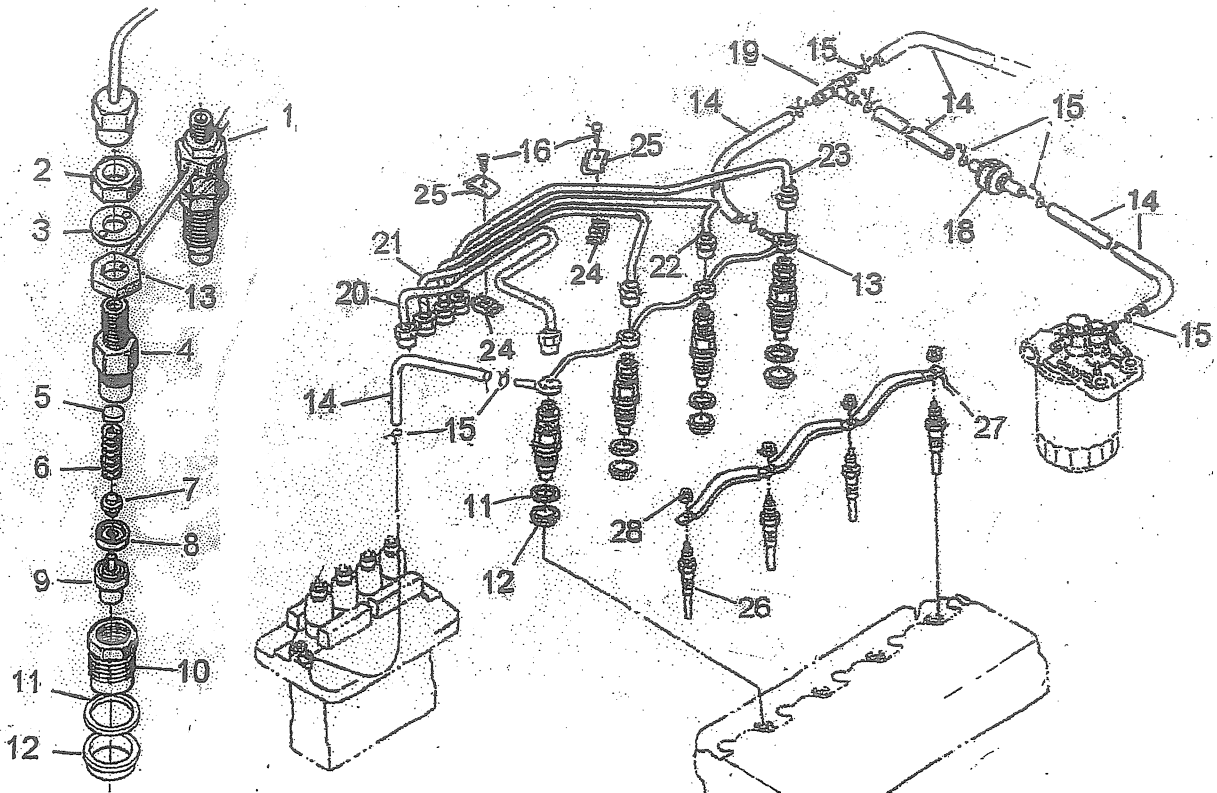
REF	PN	NAME	QUAN	REMARKS
1	053248	LEVER	1	FORK ASSY
2	053271	PIN	1	START SPRING
3	053110	RING	1	RETAINER EXTERNAL
4	053246	GASKET	1	GOVERNOR HOUSING
5	053250	SPRING	1	GOVERNOR
6	053110	RING	1	RETAINER EXTERNAL
7	053270	NUT	1	LOCK
8	053251	SPRING	1	START
9	053111	RING	1	RETAINER EXTERNAL
10	053256	SPRING	1	STOP LEVER
11	053109	RING	2	RETAINING EXTERNAL
12	053109	RING	2	RETAINING EXTERNAL
13	048462	CAPSCREW	7	M6 X 1.0 X 18MM
14	053249	SHAFT	1	FORK LEVER
15	053242	BOLT ASSY	1	ADJUSTING
16	-----	SPRING	1	-----
17	298659	WASHER	1	SEALING
18	301493	NUT	1	ADJUSTING SCREW
19	298659	WASHER	1	SEALING
20	301578	NUT	1	CAP
21	301416	CAP	1	SEALING
22	042186	STUD	2	M8 X 1.25 X 28MM
23	053244	BOLT	1	ADJUSTING
24	301241	WASHER	5	SEALING
25	301581	NUT	1	-----
26	301241	WASHER	1	SEALING
27	302746	NUT	2	CAP
28	-----	CAP	2	TAMPERPROOF
29	302746	NUT	2	CAP
30	301241	WASHER	5	SEALING
31	200649	NUT	2	LOCKING
32	301241	WASHER	1	SEALING
33	053243	BOLT	1	ADJUSTING
34	053243	BOLT	1	ADJUSTING
35	200649	NUT	1	LOCKING
36	302746	NUT	1	CAP
37	301241	WASHER	1	SEALING
38	301241	WASHER	1	SEALING
39	200721	CAP	1	IDLE ADJUST SCREW
40	298826	BOLT	1	STOP LEVER
41	015812	NUT	1	M6

GOVERNOR ASSEMBLY



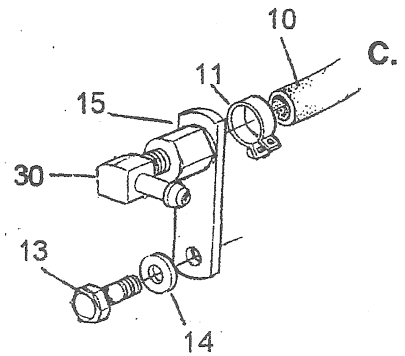
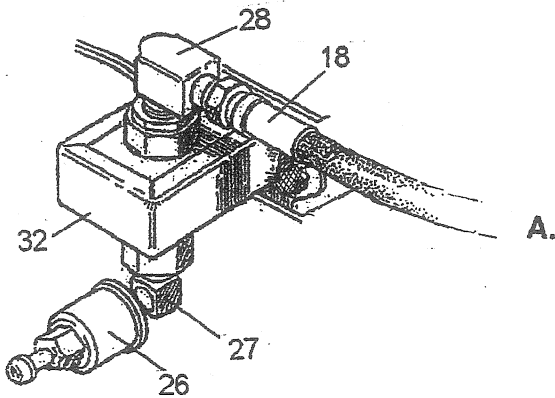
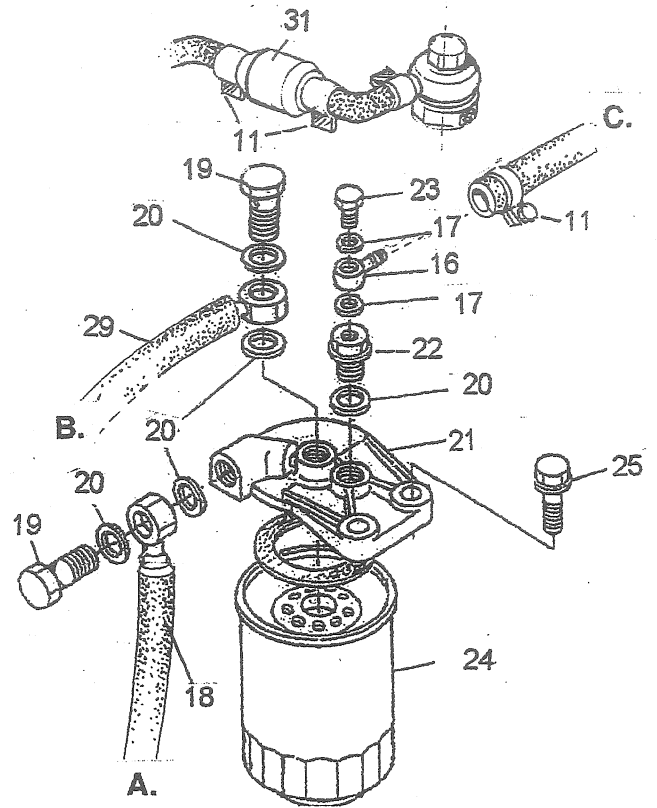
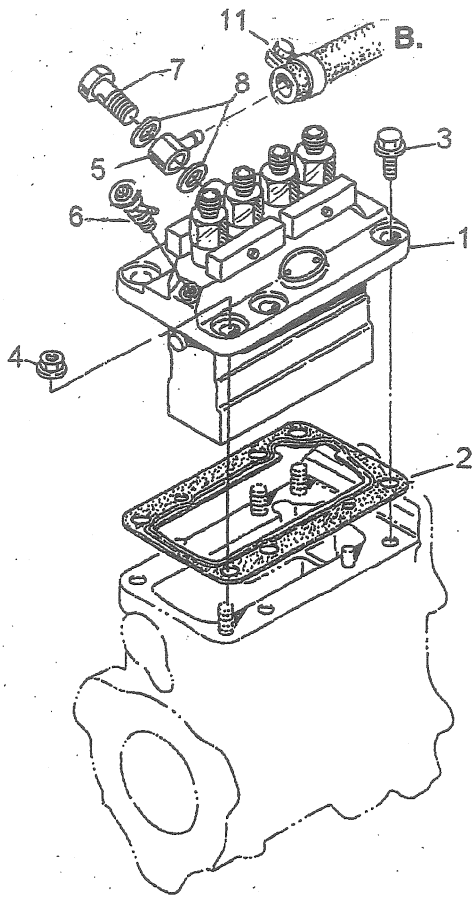
REF	PN	NAME	QUAN	REMARKS
1	053252	COVER	1	GOVERNOR
2	053300	FLY WEIGHT	1	GOVERNOR
3	055197	NUT	1	
4	053301	SLEEVE	1	GOVERNOR
5	053280	HOUSING	1	GOVERNOR
6	053247	LEVER	1	GOVERNOR
7	053118	O-RING	2	SEALING
8	053258	LEVER	1	STOP
9	053112	RING	1	RETAINING EXTERNAL
10	298720	WASHER	1	
11	053253	SPRING	1	THROTTLE
12	053321	LEVER	1	THROTTLE
13	053123	PIN	1	THROTTLE SPRING
14	053255	LEVER	1	STOP
15	053118	O-RING	1	SEALING
16	200672	SPRING	1	RETURN
17	053254	LEVER	1	STOP
18	053123	PIN	1	RETURN SPRING
19	301489	PIN	1	START SPRING
20	053271	PIN	1	START SPRING
21	053257	SOLENOID	1	STOP 12 VDC
22	055192	CAPSCREW	2	M6 X 1.0 X 10MM

INJECTORS, GLOW PLUGS, and FUEL LINES



REF	PN	NAME	QUAN	REMARKS
1	053236	INJECTOR	4	ASSEMBLY
2	200567	NUT	4	INJECTOR LEAK-OFF
3	303170	WASHER	4	INJECTOR LEAK-OFF
4	-----	HOLDER	4	INJECTOR
5	-----	SHIM	AR	INJECTOR
6	-----	SPRING	4	INJECTOR
7	-----	PIN	4	INJECTOR SPRING
8	-----	SPACER	4	INJECTOR
9	053237	NOZZLE	4	INJECTOR
10	-----	NUT	4	INJECTOR NOZZLE
11	301303	WASHER	4	INJECTOR SEALING
12	200617	SHEILD	4	HEAT
13	053223	LINE	1	INJECTOR LEAK-OFF
14	036869	HOSE	AR	3/16 FUEL (INCHES)
15	040384	CLAMP	10	HOSE-MINI
16	298794	SCREW	2	M5 X 20
17	-----	-----	---	-----
18	053222	VALVE	1	CHECK
19	053302	TEE	1	FUEL LEAK-OFF
20	053238	LINE	1	INJECTOR #1
21	053239	LINE	1	INJECTOR #2
22	053240	LINE	1	INJECTOR #3
23	053241	LINE	1	INJECTOR #4
24	301306	CLAMP	2	FUEL LINE
25	301307	CLAMP	2	FUEL LINE
26 - 1	053140	GLOWPLUG	4	12 VDC
26 - 2	053835	GLOWPLUG	4	24 VDC
27	053261	STRAP	1	GLOWPLUG CONNECT
28	055196	NUT	4	M4 X .07 FLANGE

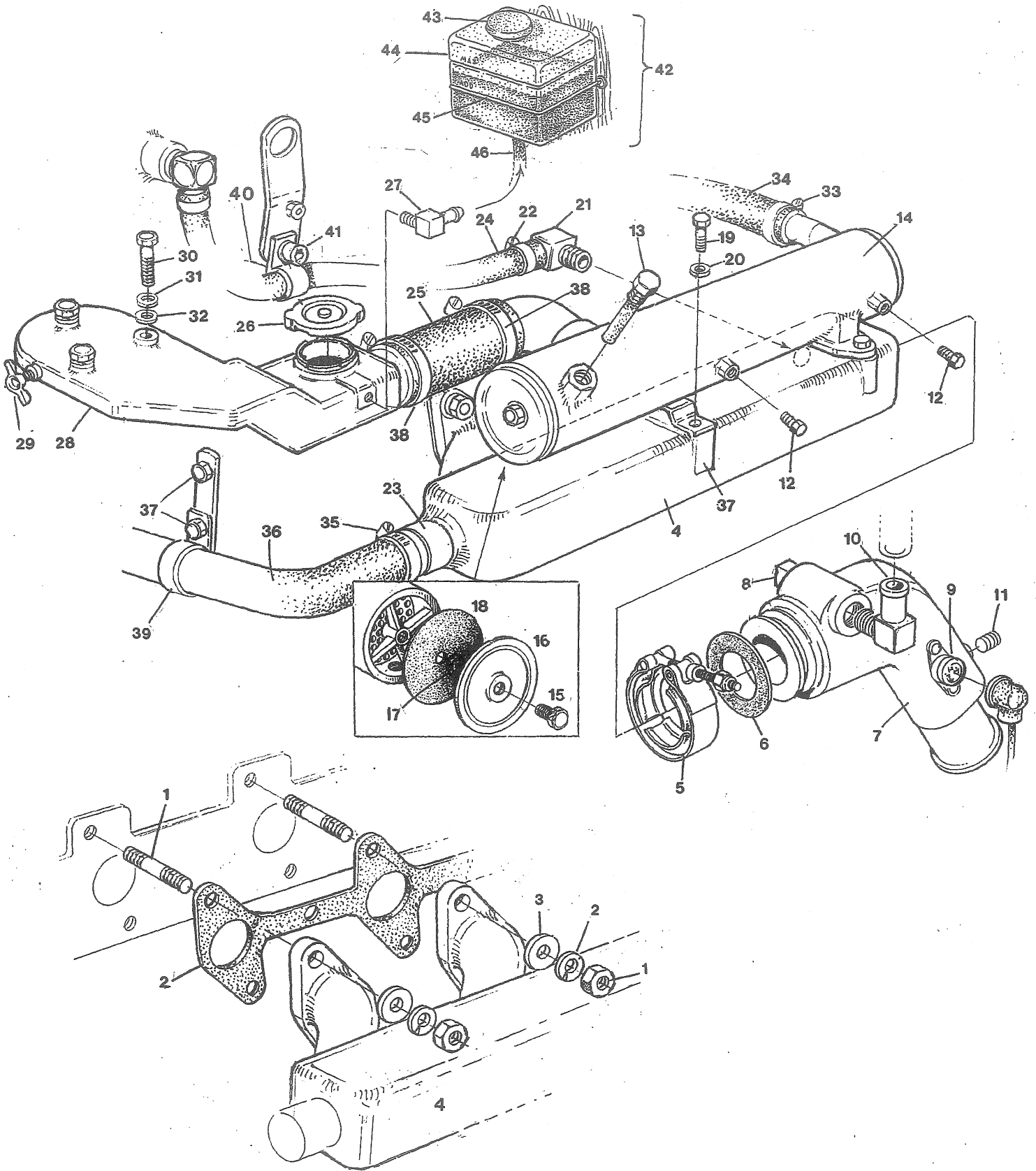
FUEL INJECTION PUMP, FUEL LIFT PUMP, & FUEL FILTER



FUEL INJECTION PUMP, FUEL LIFT PUMP, & FUEL FILTER

REF	PN	NAME	QUAN	REMARKS
1	053226	PUMP	1	FUEL INJECTION
2	053234	SHIM	1	TIMING
3	033642	CAPSCREW	3	M8 X 1.25 X 25MM
4	033668	NUT	3	M8 FLANGE
5	301747	BANJO	1	INJECTION PUMP
6	300050	VALVE	1	AIR BLEED ASSY
7	053230	BOLT	1	BANJO
8	200665	WASHER	2	SEALING
9	053223	LINE	1	INJECTOR LEAK-OFF
10	036869	HOSE	AR	3/16 FUEL (INCHES)
11	040384	CLAMP	10	HOSE-MINI
12	-----	-----		-----
13	020650	CAPSCREW	1	M8 X 1.25 X 18MM
14	031786	LOCKWASHER	1	M8
15	299830	CONNECTOR	1	FUEL RETURN ASSY
16	053133	BANJO	1	FUEL FILTER
17	298659	WASHER	2	SEALING
18	036372	HOSE	1	LIFT PUMP TO FILTER
19	053139	BOLT	1	BANJO
20	030291	WASHER	4	SEALING M14
21	053224	FILTER	1	FUEL ASSEMBLY
22	053142	CONNECTOR	1	FUEL RETURN
23	053141	BOLT	1	BANJO
24	052985	FILTER	1	FUEL (25 MICRON)
25	041429	CAPSCREW	2	M10 X 1.25 X 30MM
26	048076	FILTER	1	INLET (80 MICRON)
27	013340	ELBOW	1	1/8 NPT - 90 STREET
28	022513	ELBOW	1	1/8 NPT X 5/16 INV FLA
29	043780	HOSE	1	FILTER TO INJECTION PUMP
30	024907	ELBOW	1	1/8 NPT X 5/16 HOSE
31	053222	VALVE	1	CHECK
32 - 1	039275	PUMP	1	FUEL 12 VDC
32 - 2	046631	PUMP	1	FUEL 24 VDC

COOLANT ASSEMBLY / EXHAUST MANIFOLD



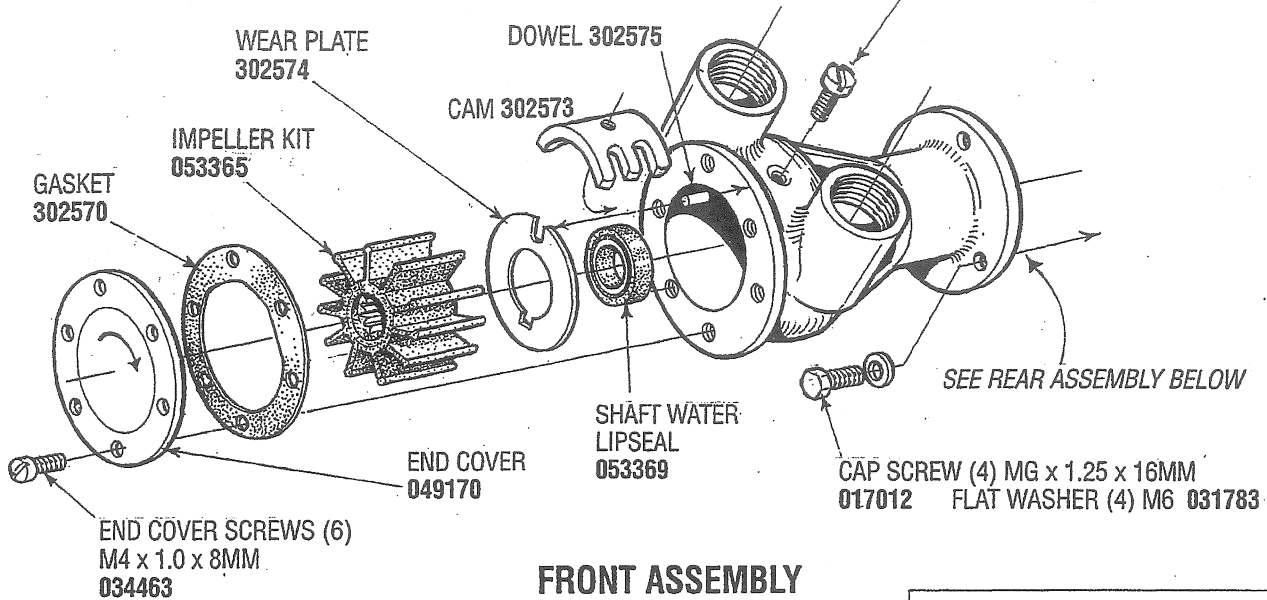
COOLANT ASSEMBLY / EXHAUST MANIFOLD

REF	PN	NAME	QUAN	REMARKS
1	200657	STUD	8	
2	053161	GASKET	1	MANIFOLD TO HEAD
3-1	018242	NUT	8	M8
3-2	031786	LOCKWASHER	8	M8
3-3	031787	WASHER	8	M8 FLAT
4	053332	MANIFOLD	1	EXHAUST
5	038153	CLAMP	1	EXHAUST ELBOW
6	038221	GASKET	1	EXHAUST ELBOW
7	049761	ELBOW	1	EXHAUST 45°
8	036849	PLUG	1	3/4 NPT BRASS
9	032923	SWITCH	1	EXHAUST TEMPERATURE
10	036614	ELBOW	1	3/4 NPT - 1 INCH HOSE NIPPLE
11	042424	PLUG	1	1/8 NPT BRASS
12	019369	PLUG	2	1/8 NPT HEX HEAD BRASS
13	011885	ZINC	1	1/4 NPT X 1-3/4 LONG
14-1	052493	EXCHANGER	1	HEAT CU-NI
14-2	052595	O-RING	1	SEALING
15	022852	CAPSCREW	2	3/8 NC X 3/4 BRASS
16	022850	CAP	2	EXCHANGER ENDS
17	019321	O-RING	2	SEALING
18	022851	GASKET	2	EXCHANGER END CAPS
19	018804	CAPSCREW	4	M6 X 1.0 X 20MM
20	031783	LOCKWASHER	4	M6
21	241019	ELBOW	2	3/8 NPT - 1/2 INCH HOSE BARB
22	011341	CLAMP	2	HOSE #8
23	052600	NIPPLE	1	1-1/4 NPT X 1-3/4 HOSE
24	031299	HOSE	27 inches	BY-PASS S/W PUMP TO EXCHANGER
25	052652	HOSE	1	MANIFOLD TO THERMOSTAT HOUSING
26	024306	CAP	1	PRESSURE 15 PSI
27	024907	ELBOW	1	1/8 NPT X 5/16 HOSE NIPPLE
28	052583	HOUSING	1	THERMOSTAT
29	011471	PETCOCK	1	1/8 NPT BRASS
30	018811	CAPSCREW	3	M8 X 1.25 X 40MM
31	031786	LOCKWASHER	3	M8
32	031787	WASHER	3	M8 FLAT
33	011405	CLAMP	2	HOSE #16
34	011779	HOSE	38 inches	5/16 HOSE
35	038193	CLAMP	2	HOSE #28
36	052596	HOSE	1	EXHAUST TO F/W PUMP
37	048194	BRACKET	1	SUPPORT
38	038193	CLAMP	2	HOSE #28
39	039949	CLAMP	1	HOSE SUPPORT
40	013760	CLAMP	1	BY-PASS HOSE SUPPORT
41	031455	CAPSCREW	1	M8 X 1.25 X 30MM
42	024977	TANK KIT	1	COOLANT RECOVERY
43	024858	CAP	1	RECOVERY TANK
44	024704	TANK	1	COOLANT RECOVERY
45	024786	STRAP	1	RECOVERY TANK SUPPORT
46	024637	HOSE	72 inches	5/16 HOSE
47	024906	CLAMP	2	HOSE #04 MINI

RAW WATER PUMP and PARTS LIST

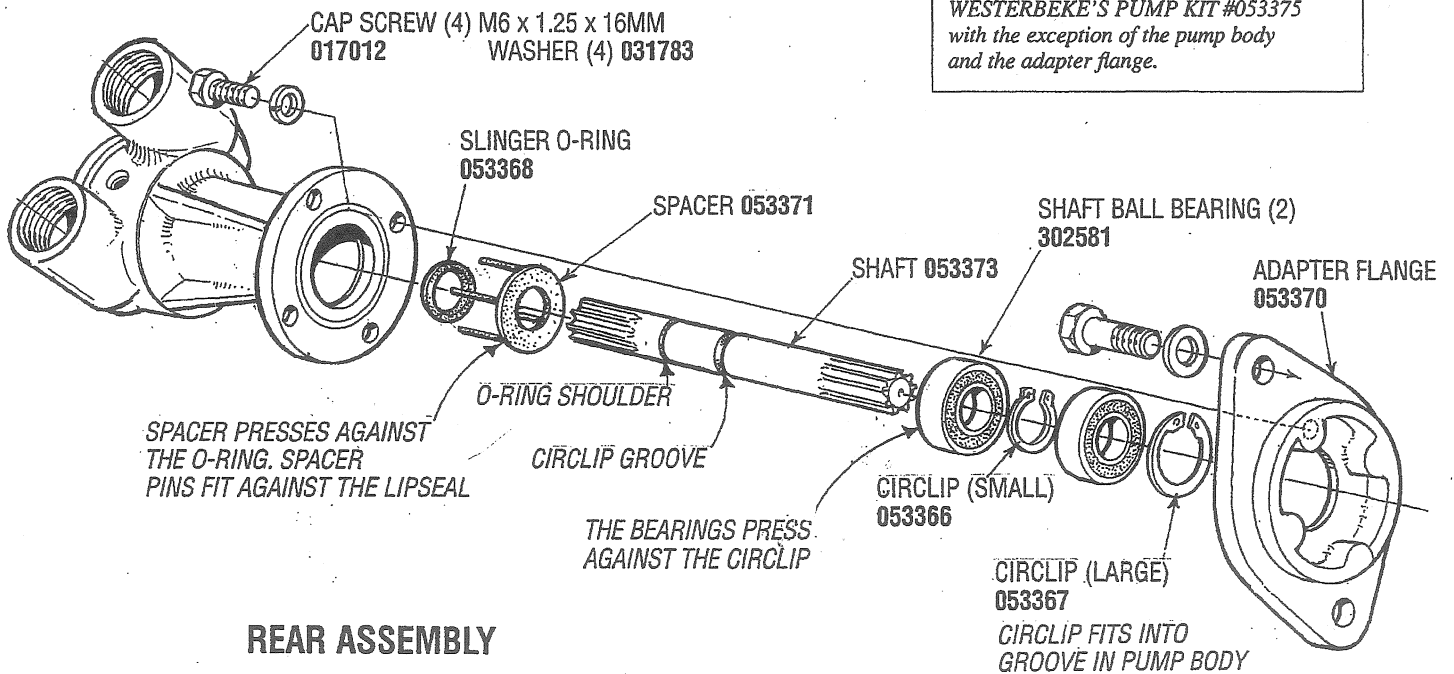
**RAW WATER PUMP
(COMPLETE PUMP)
052650**

**CAM RETAINING SCREW
053372**



FRONT ASSEMBLY

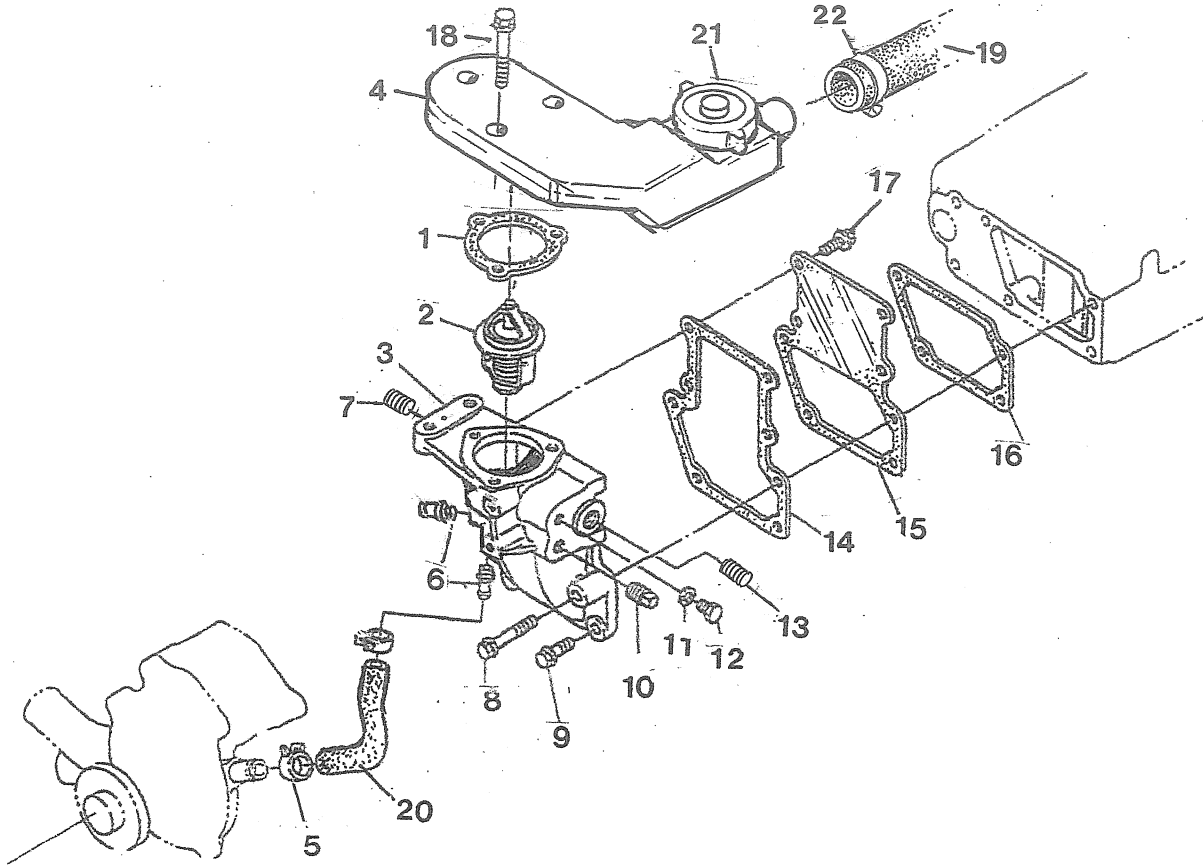
NOTE: The parts shown along with a glycerine pack are included in WESTERBEKE'S PUMP KIT #053375 with the exception of the pump body and the adapter flange.



REAR ASSEMBLY

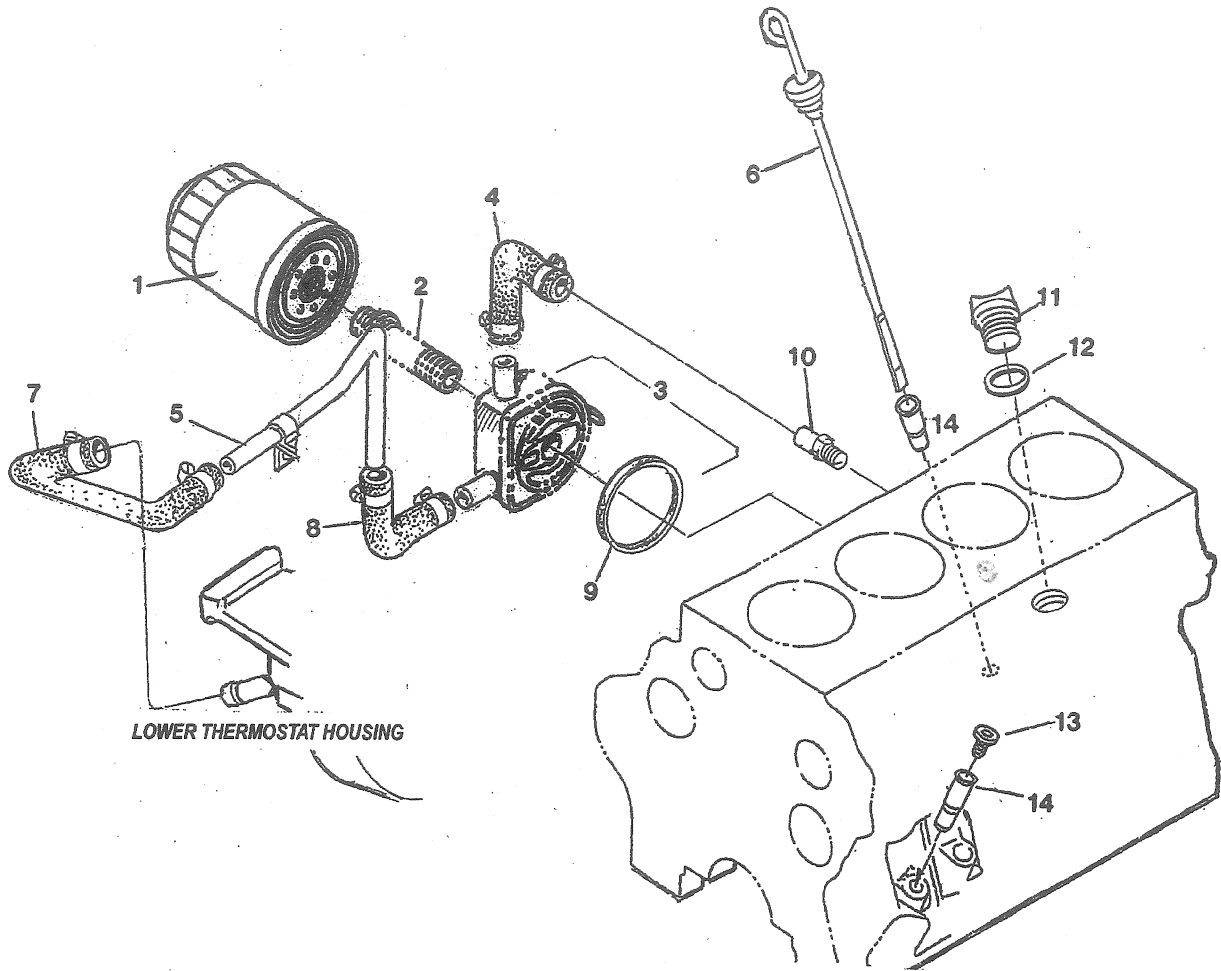
NOTE: No gasket is used when mounting the pump to the adapter. Use "Permatex Form a Gasket"

THERMOSTAT ASSEMBLY

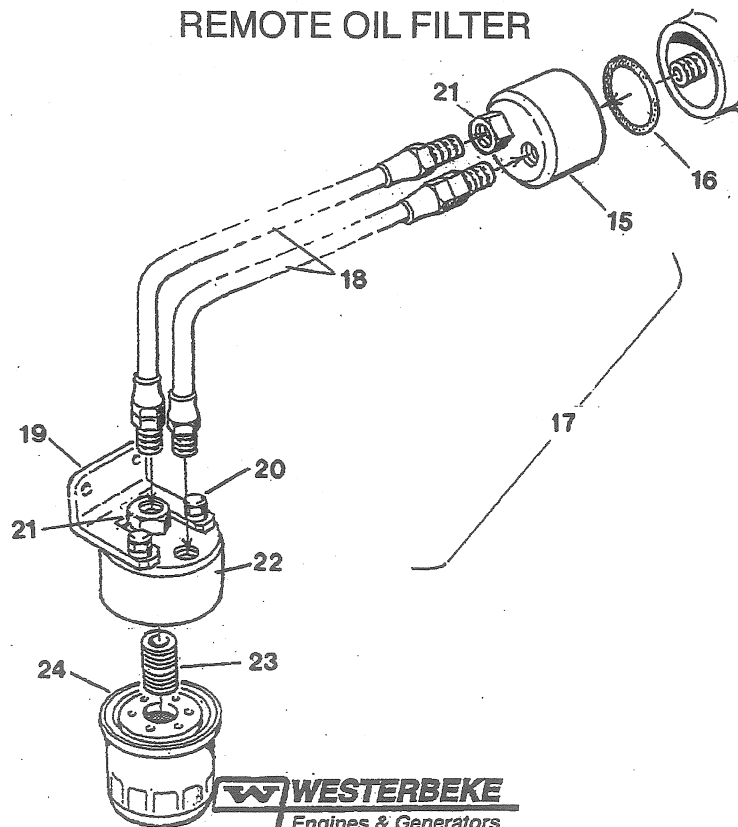


REF	PN	NAME	QUAN	REMARKS
1	052946	GASKET	1	THERMOSTAT
2	053282	THERMOSTAT	1	170 F. WITH BYPASS
3	053305	HOUSING	1	LOWER (inc. 15,14,17,6,7,13)
4	052583	HOUSING	1	UPPER
5	017298	CLAMP	2	HOSE # 6
6	053218	NIPPLE	2	HOSE
7	024848	BUSHING	1	1/4 BSPT TO 1/8 NPT
8	033647	CAPSCREW	1	M8 X 1.25 X 50MM
9	033642	CAPSCREW	3	M8 X 1.25 X 25MM
10	241019	ELBOW	1	3/8 NPT - 1/2 HOSE
11	299371	WASHER	1	SEALING
12	053134	PLUG	1	DRAIN
13	032119	BUSHING	1	3/8 BSPT TO 1/8 NPT
14	053264	GASKET	1	THERMOSTAT HSG COVER
15	053262	COVER	1	LOWER HOUSING
16	053263	GASKET	1	LOWER HOUSING TO BLOCK
17	033641	CAPSCREW	4	M8 X 1.25 X 16MM
18	018811	CAPSCREW	3	M8 X 1.25 X 40MM
19	052653	HOSE	1	THERMOSTAT TO EXCHANGER
20	053317	HOSE	1	BY-PASS
21	024306	CAP	1	PRESSURE 15 PSI
22	038193	CLAMP	2	HOSE # 28

OIL COOLER ASSEMBLY



REMOTE OIL FILTER



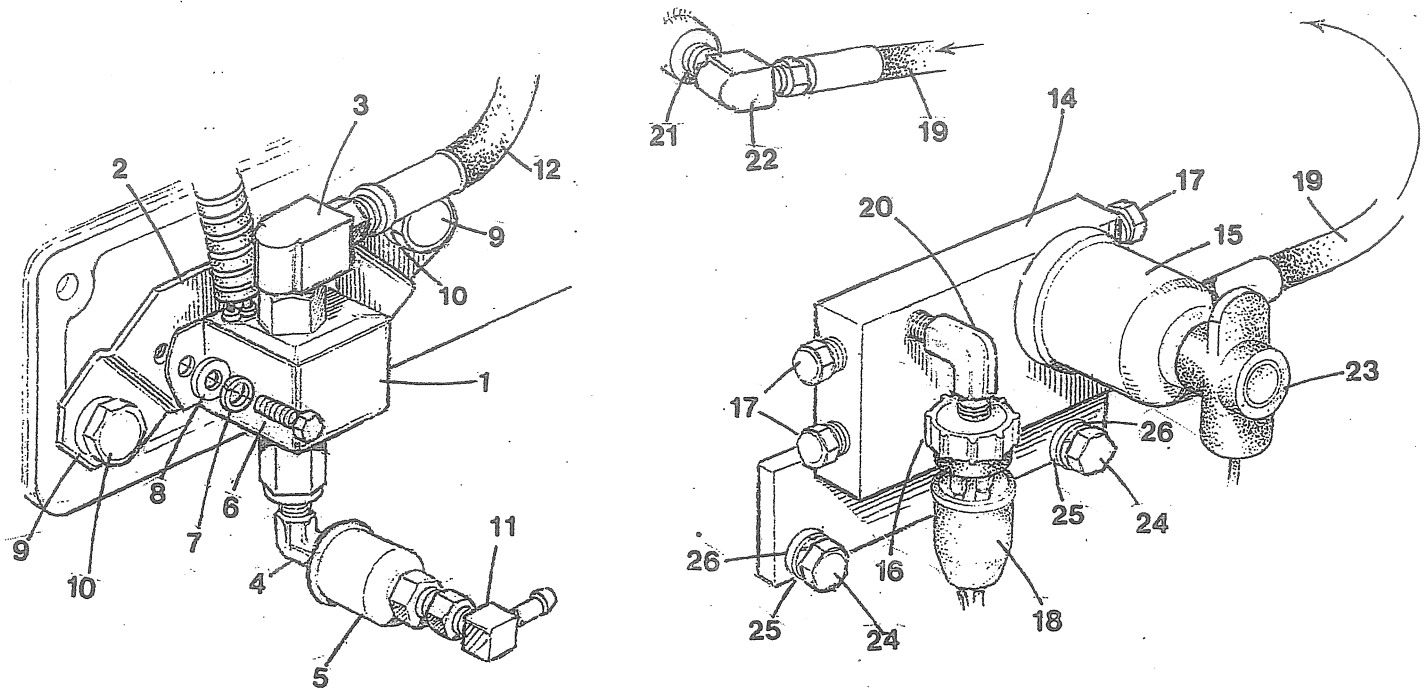
OIL COOLER ASSEMBLY

REF	PN	NAME	QUAN	REMARKS
1	011951	FILTER	1	OIL
2	053203	NIPPLE	1	OIL FILTER TO BLOCK
3	053217	COOLER	1	OIL, INCL O-RING
4-1	053219	HOSE	1	OIL TO COOLER BLOCK
4-2	017298	CLAMP	2	HOSE #6
5-1	053220	LINE	1	OIL COOLER
5-2	033639	CAPSCREW	1	M8 X 1.25 X 12MM
6	053212	DIPSTICK	1	LUBE OIL
7-1	053312	HOSE	1	LINE TO THERMOSTAT
7-2	017298	CLAMP	2	HOSE #6
8-1	053221	HOSE	1	OIL COOLER TO LINE
8-2	017298	CLAMP	2	HOSE #6
9	053137	O-RING	1	SEALING
10	053218	NIPPLE	1	HOSE TO BLOCK
11	053322	CAP	1	SIDE OIL FILL
12	053120	O-RING	1	OIL CAP
13	054127	PLUG	1	DIPSTICK OPENING
14	053213	TUBE	2	DIPSTICK

REMOTE OIL FILTER

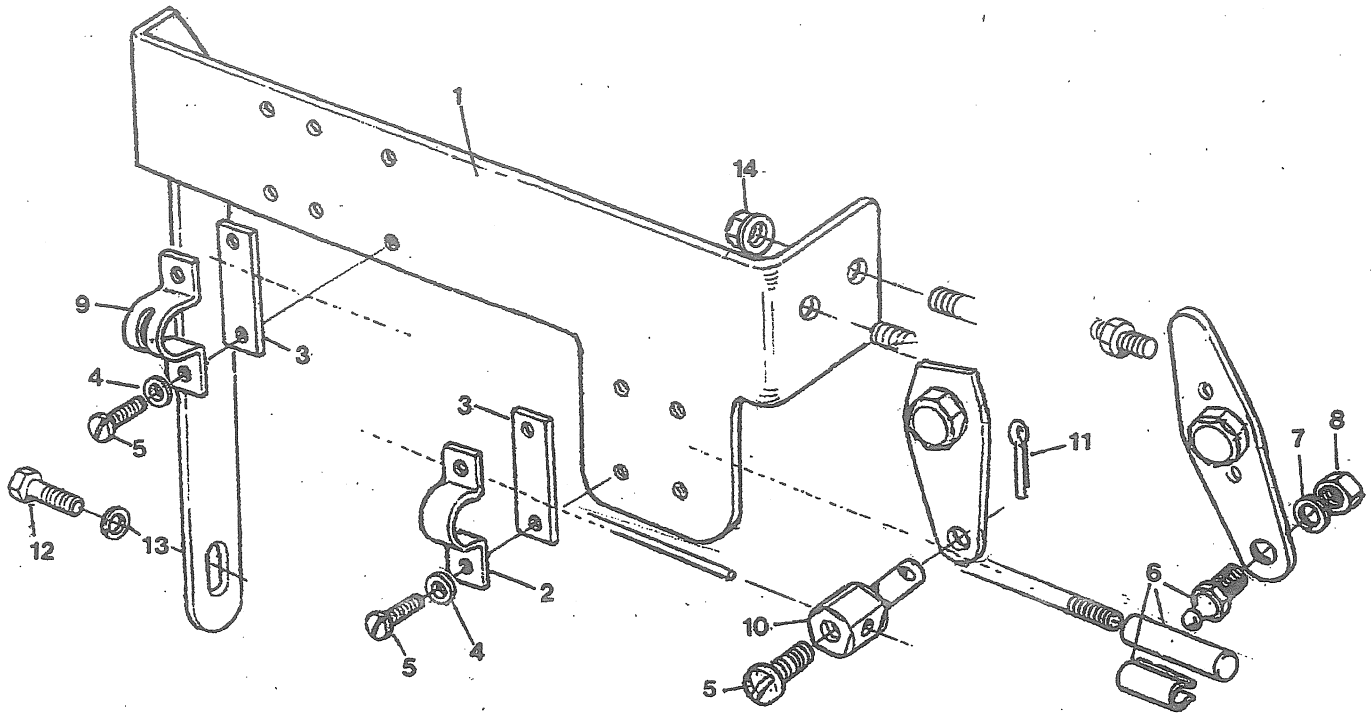
15	020983	ADAPTER	1	HOSE TO BLOCK
16	020455	O-RING	1	ADAPTER TO BLOCK
17	054372	FILTER	1	REMOTE LUBE OIL ASSY
18	011925	HOSE	2	OIL 40 1/4 INCH LONG
19	040074	BRACKET	1	ADAPTER SUPPORT
20-1	031503	CAPSCREW	2	1/4NC X 3/4
20-2	031752	LOCKWASHER	2	1/4 SPLIT
21	013348	CONNECTOR	2	MALE 3/8 NPT X 1/2 IFL
22	040629	ADAPTER	1	OIL FILTER
23	013610	NIPPLE	1	OIL FLITERTO ADAPTER
24	011951	FILTER	1	OIL

FUEL PUMP ASSEMBLY – OIL PRESSURE SENDER / OIL SWITCH



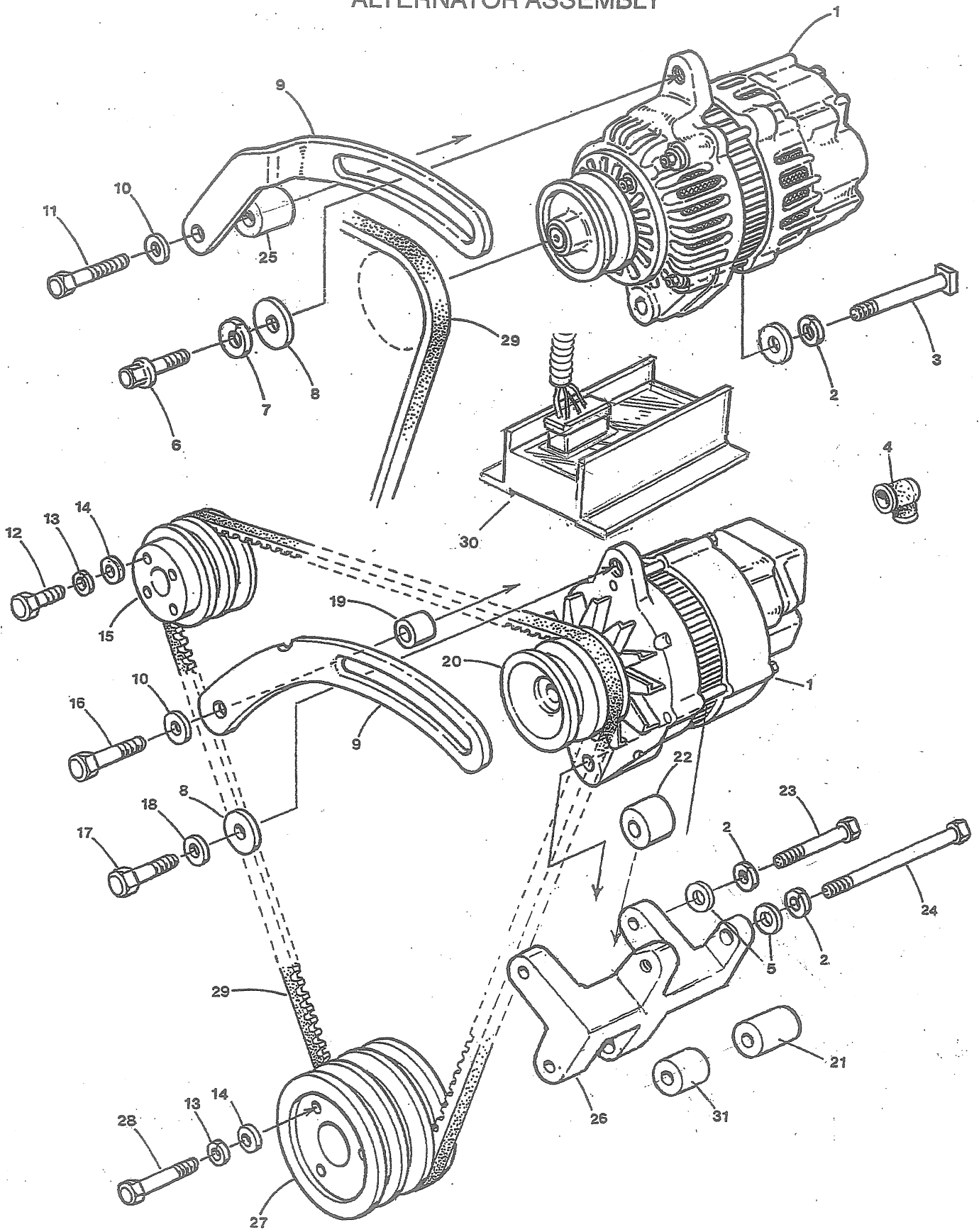
REF	PN	NAME	QUAN	REMARKS
1-1	052909	PUMP	1	FUEL LIFT 12 VDC
1-2	053474	PUMP	1	FUEL LIFT 24 VDC
2	052652	BRACKET	1	FUEL LIFT PUMP
3	022513	ELBOW	1	1/8 NPT TO 5/16 IVF
4	011984	ELBOW	1	1/8 NPT 90 DEGREE
5	048076	FILTER	1	INLET 80 MICRON
6	015816	CAPSCREW	2	M6 X 1.25 X 10MM
7	031783	LOCKWASHER	2	M6
8	031784	WASHER	2	M6 FLAT
9	031792	LOCKWASHER	2	M12
10	024959	CAPSCREW	2	M12 X 1.25 X 25MM
11	024907	ELBOW	1	1/8 NPT - 5/16 HOSE NIPPLE
12	052918	HOSE	1	LIFT PUMP TO FILTER
13	013340	ELBOW	1	1/8 NPT 90 DEGREE
14	043902	MANIFOLD	1	OIL
15	056181	SENDER	1	OIL PRESSURE 100 PSI UNG
16	037323	SWITCH	1	OIL (N/O)
17	019368	PLUG	3	1/8 NPT HEX HEAD
18	035755	BOOT	1	OIL PRESSURE SWITCH
19	011981	HOSE	1	OIL, MANIFOLD TO BLOCK
20	015122	ELBOW	1	1/8 NPT 45 DEGREE
21	024844	BUSHING	1	1/8 BSPT TO 1/8 NPT
22	022513	ELBOW	1	1/8 NPT 90 DEGREE
23	031086	BOOT	1	OIL PRESSURE SENDER
24	031619	CAPSCREW	2	M8 X 1.25 X 30MM
25	031787	WASHER	2	M8 FLAT
26	031786	LOCKWASHER	2	M8
27	035449	BOOT	1	OIL PRESSURE SENDER

THROTTLE & STOP CABLE ASSEMBLY



REF	PN	NAME	QUAN	REMARKS
1	054028	BRACKET	1	THROTTLE/STOP
2	013325	CLAMP	1	CABLE
3	013870	SHIM	2	CABLE CLAMP
4	031849	LOCKWASHER	4	#10
5	031872	SCREW	4	10-32 X 1/2 SS
6	033482	BALL JOINT	1	1/4 NF / #10-32 MALE
7	031752	LOCKWASHER	1	1/4 SPLIT
8	031754	NUT	1	1/4 - 28 NF
9	013871	CLAMP	1	CABLE SHUT-OFF
10	047743	PIVOT	1	STOP LEVER
11	011796	PIN	1	COTTER 1/16 X 1/2 SS
12	013629	CAPSCREW	1	M10 X 1.50 X 25MM
13	031849	LOCKWASHER	1	M10
14	041438	NUT	1	M10 X 1.25 FLANGE

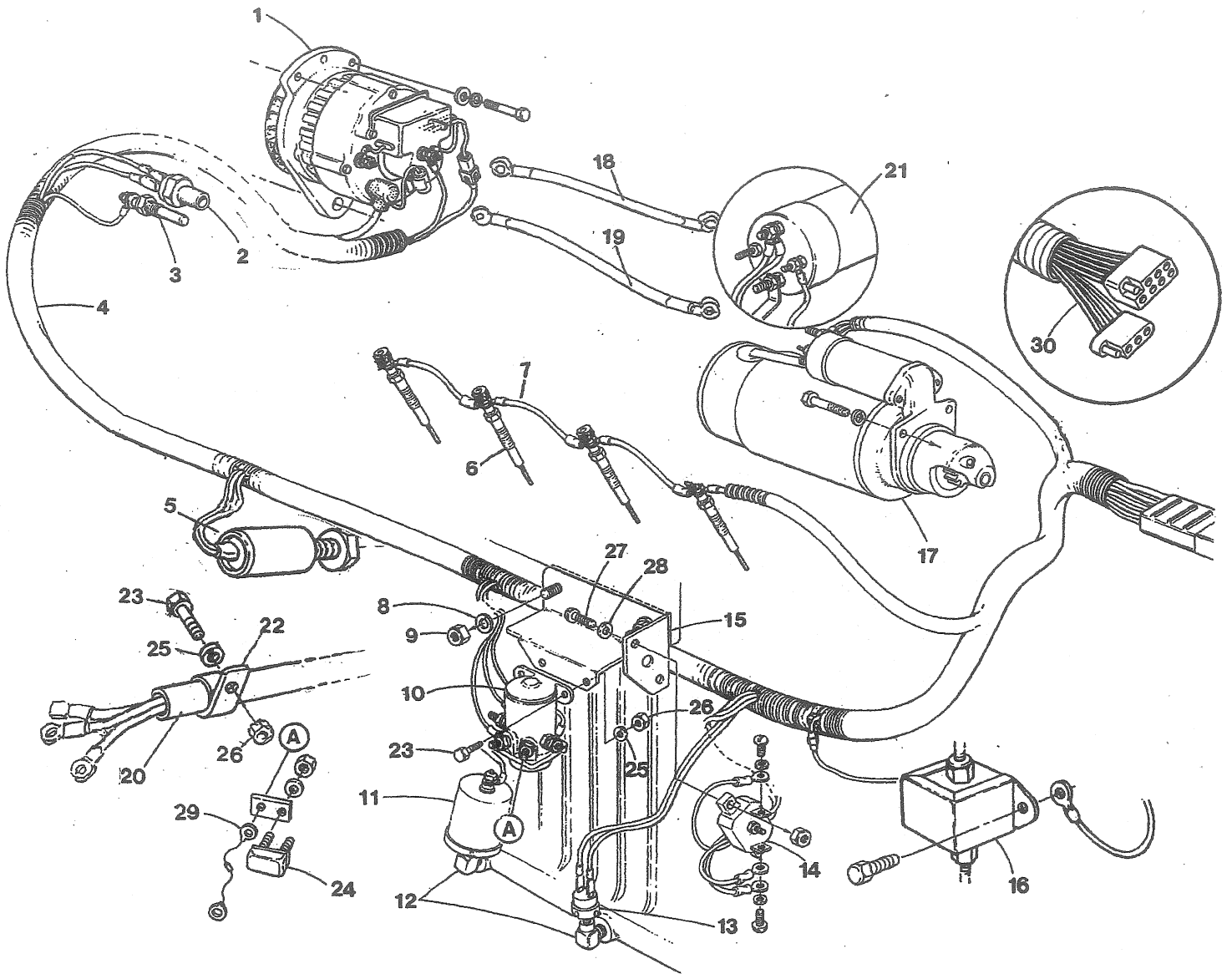
ALTERNATOR ASSEMBLY



ALTERNATOR ASSEMBLY

REF	PN	NAME	QUAN	REMARKS
1-1	055417	ALTERNATOR	1	12VDC 60 AMP (STD)
1-2	056094	ALTERNATOR	1	12VDC 65 AMP (STD)
1-3	052005	ALTERNATOR	1	12VDC 100 AMP (OPTION)
1-4	054373	ALTERNATOR	1	12VDC 160 AMP (OPTION)
2	019262	LOCKWASHER	5	M10
3	035003	CAPSCREW	1	M0 X 1.50 X 80MM
4	031086	BOOT	1	ALT + OUTPUT
5	031789	WASHER	5	M10
6	013630	CAPSCREW	1	M8 X 1.25 X 25MM
7	031786	LOCKWASHER	1	M8
8	033381	WASHER	2	FLAT
9-1	054240	STRAP	1	ALTERNATOR ADJUST 100-190 AMP
9-2	054665	STRAP	1	ALTERNATOR ADJUST 60-65 AMP
10	019262	LOCKWASHER	1	M10
11	032507	CAPSCREW	1	M10 X 1.50 X 65MM
12	048463	CAPSCREW	4	M8 X 1.25 X 10MM
13	031783	LOCKWASHER	4	M8
14	031784	WASHER	4	M8
15	053994	PULLEY	1	FRESH WATER PUMP 2 GROOVE
16	024983	CAPSCREW	1	M8 X 75
17	013630	CAPSCREW	1	M8 X 1.25 X 25MM
18	031786	LOCKWASHER	1	M8
19	054883	SPACER	1	ADJUSTING STRAP
20	049977	PULLEY	1	ALTERNATOR 100-190 AMP
21	053998	SPACER	1	ALTERNATOR 60-65 AMP
22-1	042225	SPACER	1	ALTERNATOR 100-190 AMP
22-2	053552	SPACER	1	ALTERNATOR 60-65 AMP
23	053553	CAPSCREW	1	M10 X 1.50 X 110MM
24	053553	CAPSCREW	1	M10 X 1.50 X 110MM
25	054881	SPACER	1	ADJUSTING STRAP
26	054204	BRACKET	1	ALTERNATOR
27	053992	PULLEY	1	CRANKSHAFT 1 GROOVE 100-190 AMP
28	298460	CAPSCREW	3	M8 X 1.25 X 25MM
29-1	011672	BELT	1	ALTERNATOR 60-72 AMP
29-2	032977	BELT	2	ALTERNATOR 100-190 AMP
30	052635	REGULATOR	1	ALTERNATOR 100-190 AMP
31	053996	SPACER	1	ALTERNATOR 60-65 AMP

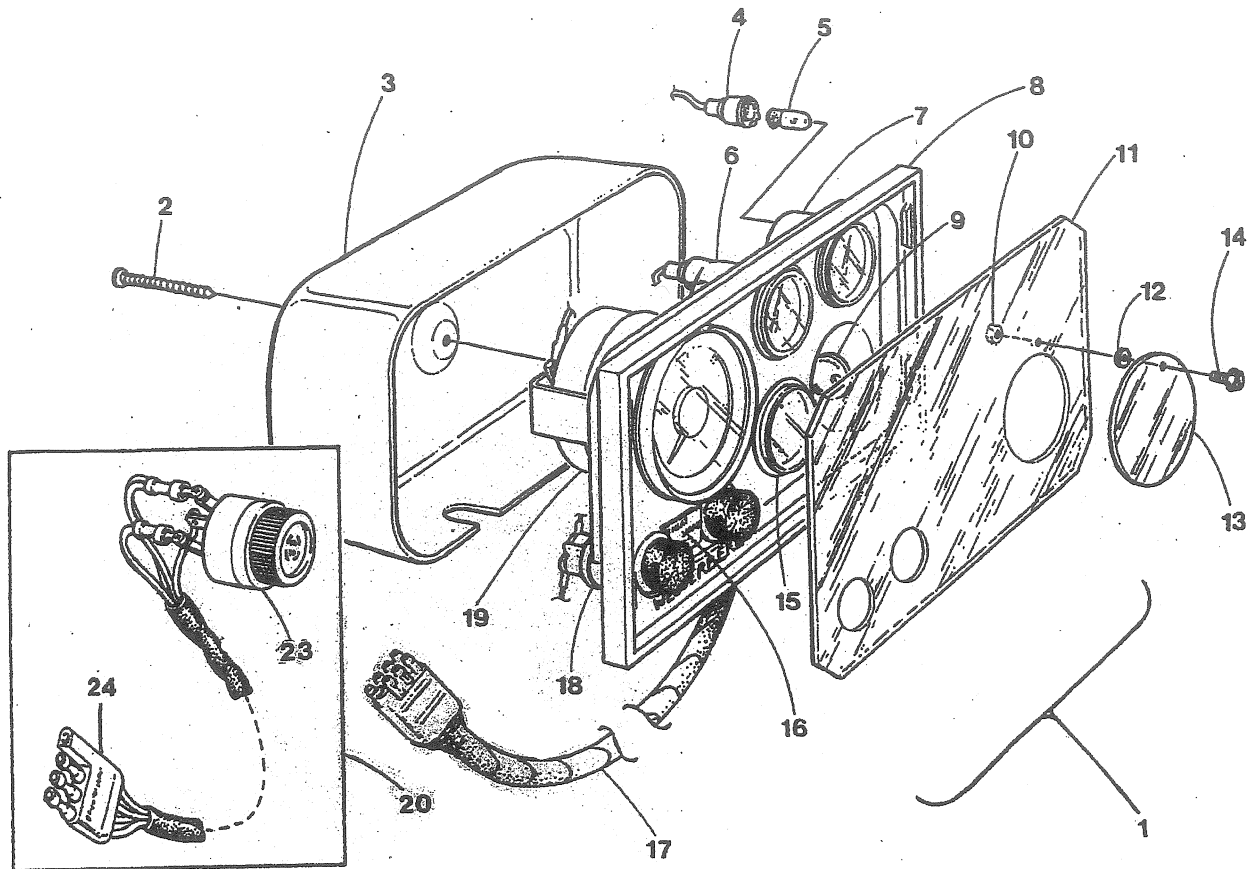
ELECTRICAL SYSTEM



ELECTRICAL SYSTEM

REF	PN	NAME	QUAN	REMARKS
1	055147	ALTERNATOR	1	60 AMP 12 VDC WITH REGULATOR
2 - 1	030125	SWITCH	1	WATER TEMPERATURE PROPULSION ALARM
2 - 2	037453	BUSHING	1	SWITCH 1/4 NPT TO 1/8 NPT
3	035109	SENDER	1	WATER TEMPERATURE
4	054029	HARNESS	1	ENGINE
5	053257	SOLENOID	1	FUEL SHUT-OFF 12 VDC
6	053140	GLOWPLUG	4	12 VDC
7	053261	STRAP	1	GLOWPLUG CONNECTING
8	031758	LOCKWASHER	2	5/16
9	031760	NUT	2	5/16NF
10	024639	SOLENOID	1	PREHEAT 12 VDC
11	024132	SENDER	1	OIL PRESSURE
12	011984	ELBOW	2	1/8 NPT STREET 90
13	037323	SWITCH	1	OIL PRESSURE
14	024683	BREAKER	1	CIRCUIT 20 AMP 12 VDC
15	054033	BRACKET	1	CIRCUIT BREAKER - FUEL PUMP - SENDER
16	039275	PUMP	1	ELECTRIC FUEL LIFT 12 VDC
17	053259	MOTOR	1	STARTER 12 VDC
18	043578	WIRE	1	ALTERNATOR + TO STARTER (100-190 AMP)
19	052067	WIRE	1	ALTERNATOR - TO GROUND STUD (100-190 AMP)
20	054233	MODULE	1	CURRENT TIMING
21	053260	SOLENOID	1	STARTER MOTOR 12 VDC
22	013737	CLAMP	1	SUPPORT
23	018804	CAPSCREW	2	M6 X 20MM DIN 933
24	036563	BREAKER	1	CIRCUIT 10 AMP
25	031786	LOCKWASHER	2	M6 DIN 127
26	015812	NUT	2	M6 DIN 934
27	031866	SCREW	2	#8-32 X 7/8 SS BINDING HEAD
28	031844	LOCKWASHER	2	#8 SS
29	039806	RESISTOR	1	ASSEMBLY-PROPULSION ALARM CIRCUIT

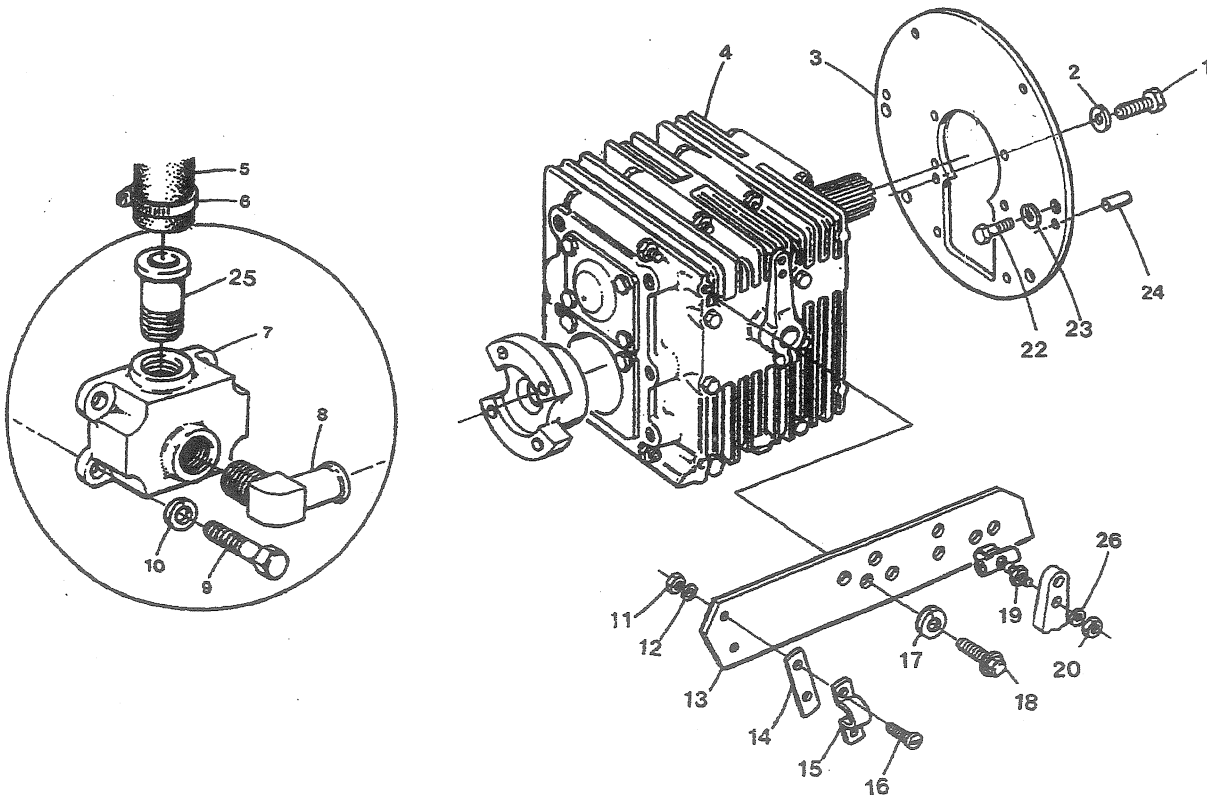
INSTRUMENT PANEL



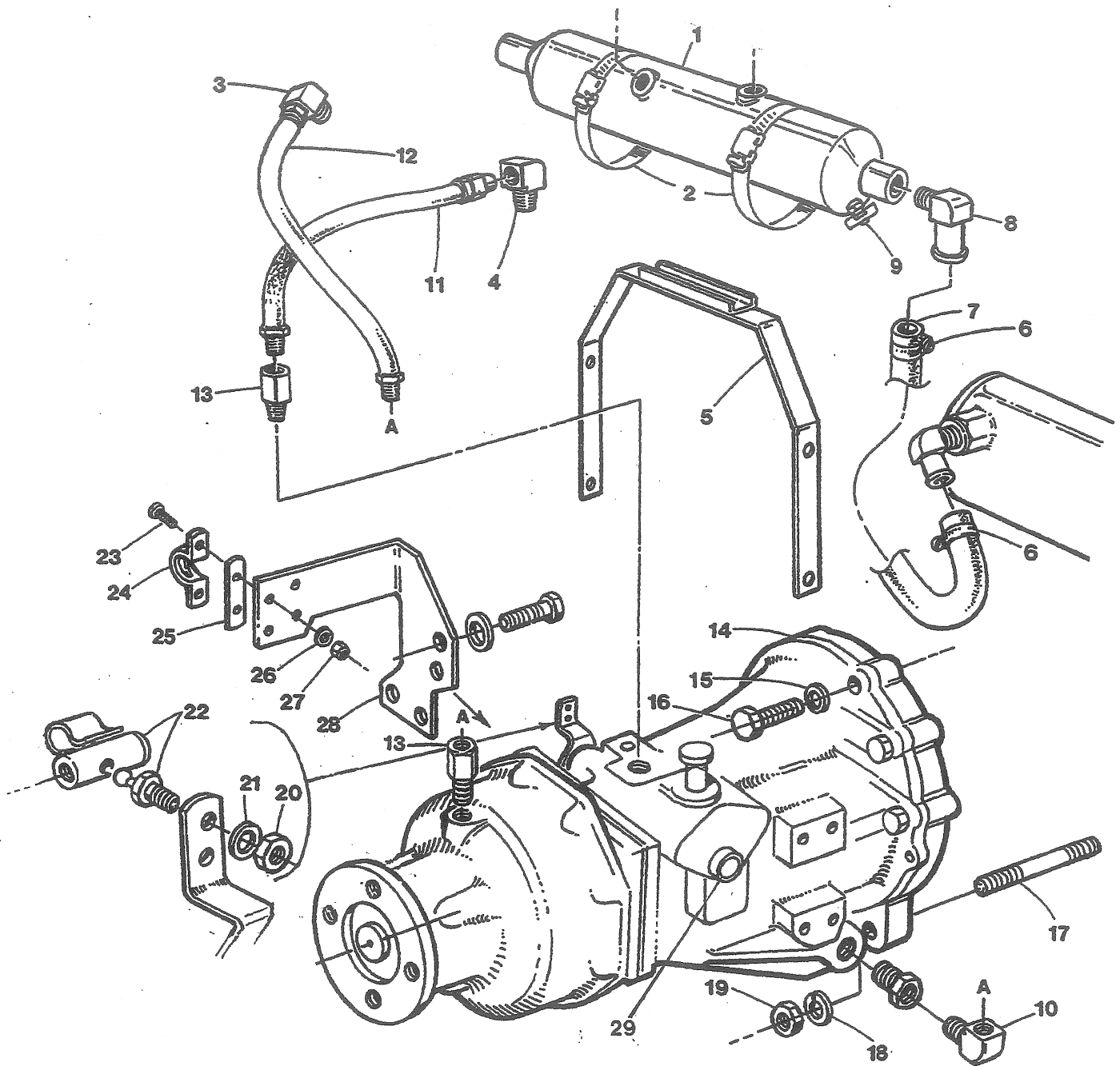
REF	PN	NAME	QUAN	REMARKS
1	036842	PANEL	1	ADMIRAL, W/ALARM
2	030913	SCREW	1	
3	030119	COVER	1	PANEL REAR
4	035118	HOLDER	3	LAMP WEDGE BASE
5	035114	LAMP	3	INSTRUMENT 12 VDC WEDGE BASE
6	037601	METER	1	WATER TEMPERATURE
7	037603	METER	1	OIL PRESSURE 100 PSI
8	033865	PANEL	1	PLATE
9	033693	KEYSWITCH	1	OFF-ON
10	030003	NUT	1	NYLON LOCKING 6-32
11	033684	COVER	1	FACEPLATE
12	030002	SPACER	1	NYLON
13	024996	WINDOW	1	KEYSWITCH COVER
14	030001	SCREW	1	NYLON 6-32 X 1/2 WASHER HEAD
15	037605	VOLTMETER	1	12 VDC
16	033682	DECAL	1	SWITCH IDENTIFIER
17	030148	CABLE	1	PANEL TO ENGINE 8 PIN
18-1	033764	SWITCH	2	PUSHBUTTON START/PREHEAT
18-2	019031	CAP	2	SWITCH COVER REPLACEMENT
19	011917	METER	1	TACHOMETER-HOUR
20	036829	ALARM	1	ASSEMBLY
21	035825	WIRE	3	LAMP POWER CONNECTION
22	039144	DIAGRAM	1	WIRING ENGINE 12 VDC
23	013355	BUZZER	1	ALARM
24	037615	HARNESS	1	ALARM TO ENGINE

ZF25M TRANSMISSION

REF	PN	NAME	QUAN	REMARKS
1	018813	CAPSCREW	6	M10 X 20 DIN 933
2	031790	LOCKWASHER	6	M10 DIN 137-B
3	032553	ADAPTER	1	ZF25M GEAR TO HOUSING
4-1	032565	GEAR	1	ZF25M 1.9:1
4-2	032566	GEAR	1	ZF25M 2.7:1
5	011779	HOSE	24	1" ID WIRE INSERTED - INCHES REQUIRED
6	011405	CLAMP	2	HOSE 16
7	040036	COOLER	1	TRANSMISSION
8	036614	ELBOW	1	3/4 NPT X 1" HOSE
9	017196	CAPSCREW	4	M 8 X 20 DIN 933
10	031786	LOCKWASHER	4	M 8 DIN 127
11	031847	NUT	2	10-32 X HEX SS
12	031849	LOCKWASHER	2	10 SS
13	032161	BRACKET	1	SHIFT CABLE
14	013870	SHIM	1	SHIFT CABLE
15	013325	CLAMP	1	SHIFT CABLE
16	031873	SCREW	2	10-32 X 5/8 SS
17	031786	LOCKWASHER	2	M 8 DIN 127
18	020650	CAPSCREW	2	M 8 X 18 DIN 933
19	033482	BALLJOINT	1	SHIFT CABLE
20	031754	NUT	1	1/4 NF
21	031752	LOCKWASHER	1	1/4
22	031656	CAPSCREW	6	7/16 NC X 1-1/4
23	031770	LOCKWASHER	6	7/16
24	013919	DOWEL	2	ADAPTER TO HOUSING
25	036622	NIPPLE	1	3/4NPT X 1" HOSE



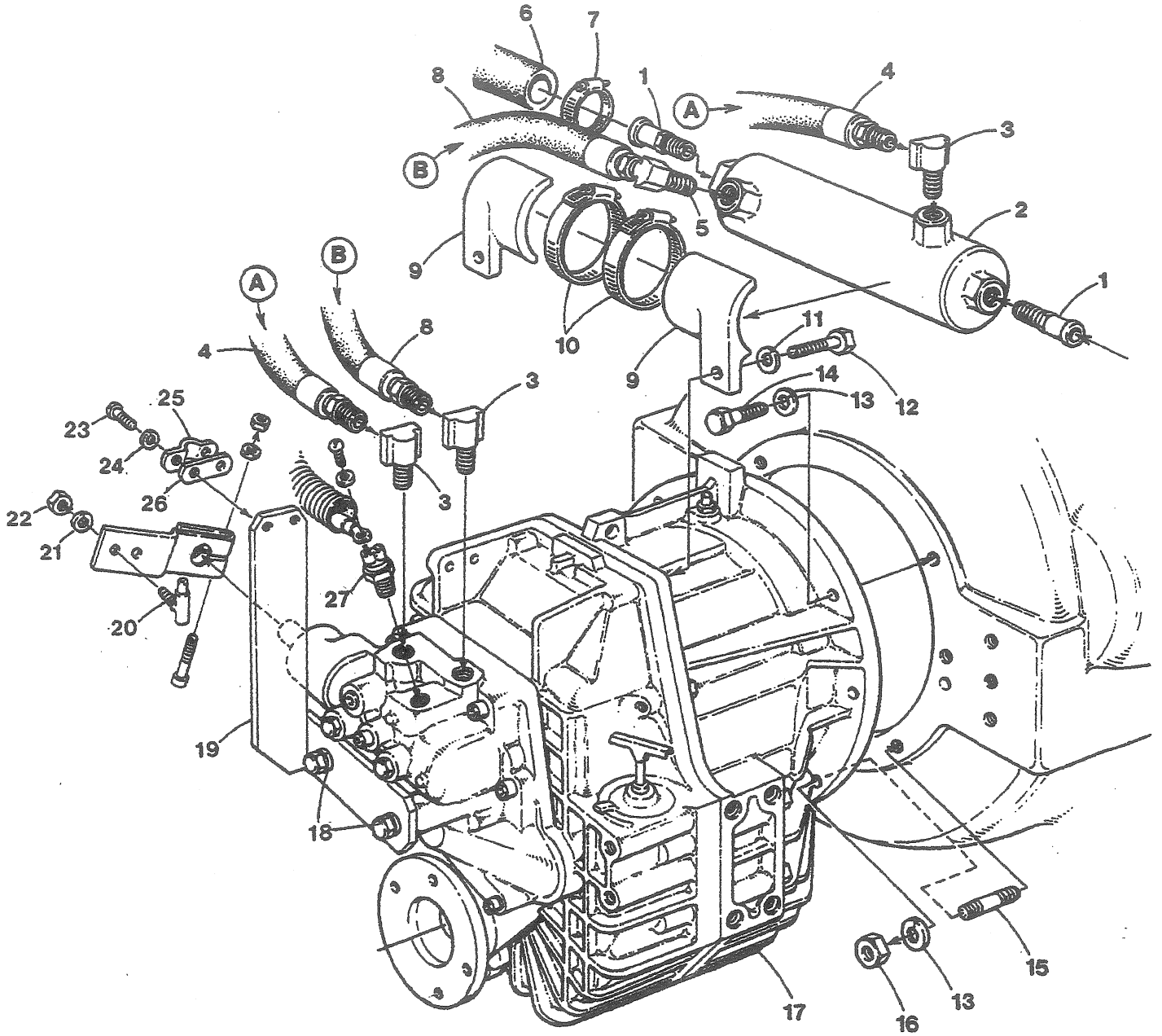
BORG WARNER HYDRAULIC TRANSMISSION



BORG WARNER HYDRAULIC TRANSMISSION

REF	PN	NAME	QUAN	REMARKS
1	036650	COOLER	1	OIL
2	011411	CLAMP	2	HOSE 32 - MOUNT COOLER TO BRACKET
3	013330	ELBOW	1	COOLER TO HOSE
4	013338	ELBOW	1	3/8NPT STREET 90 BRASS
5	013057	BRACKET	1	COOLER MOUNT TO TRANSMISSION
6	011405	CLAMP	2	HOSE 16
7	011779	HOSE	16	1" ID WIRE INSERTED - INCHES REQUIRED
8	036614	ELBOW	2	3/4NPT X 1" HOSE
9	011471	PETCOCK	1	1/8NPT
10	013330	ELBOW	1	HOSE TO TRANSMISSION
11	011921	HOSE	1	OIL
12 - 1	022114	HOSE	1	OIL - 1:1 AND 2:1 TRANSMISSION
12 - 2	023567	HOSE	1	OIL - REDUCTION TRANSMISSION EXCEPT 2:1
13 - 1	013348	CONNECTOR	1	HOSE TO TRANSMISSION EXCEPT 2:1
13 - 2	013348	CONNECTOR	2	HOSE TO 2:1 TRANSMISSION
14 - 1	011630	GEAR	1	HYDRAULIC 1:1
14 - 2	011631	GEAR	1	HYDRAULIC 1.5:1
14 - 3	037297	GEAR	1	HYDRAULIC 1.9:1 OPPOSITE ROTATION
14 - 4	011632	GEAR	1	HYDRAULIC 2:1
14 - 5	011633	GEAR	1	HYDRAULIC 2.5:1
14 - 6	011634	GEAR	1	HYDRAULIC 3:1
15	031770	LOCKWASHER	4	7/16
16	031665	CAPSCREW	4	7/17NC X 3-1/2
17	023467	STUD	2	7/16NC X 4
18	031770	LOCKWASHER	2	7/16
19	031768	NUT	2	7/16NC
20	031754	NUT	1	1/4 NF
21	031752	LOCKWASHER	1	1/4
22	033482	BALLJOINT	1	SHIFT CABLE
23	031873	SCREW	2	10-32 X 5/8 SS
24	013325	CLAMP	1	SHIFT CABLE
25	013870	SHIM	1	SHIFT CABLE
26	031879	LOCKWASHER	2	10 SS
27	031847	NUT	2	10-32 HEX SS
28	032315	BRACKET	1	SHIFT CABLE
29	023433	SWITCH	1	NEUTRAL SAFTEY

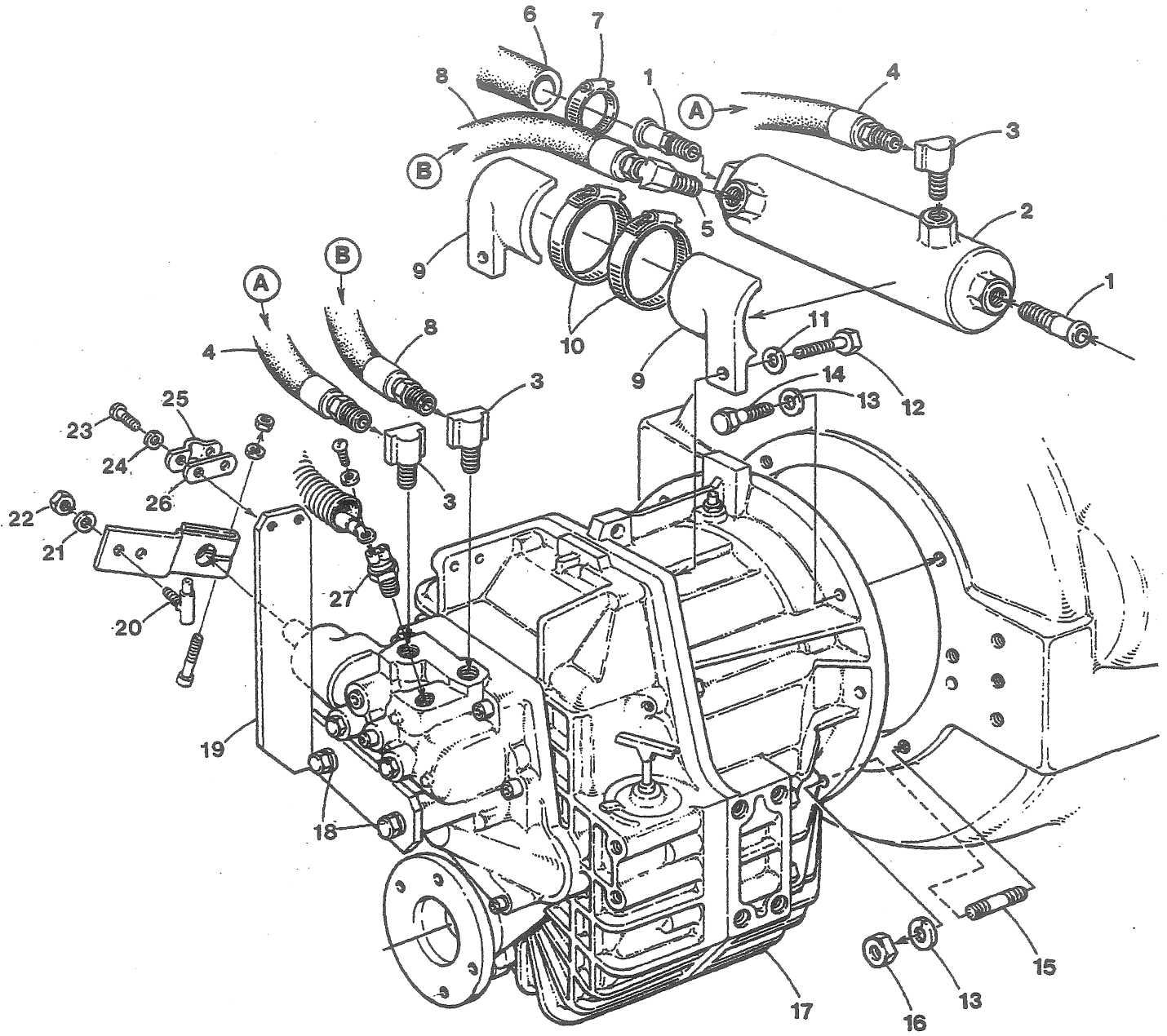
ZF63 TRANSMISSION.



ZF63 TRANSMISSION

REF	PN	NAME	QUAN	REMARKS
1	036622	NIPPLE	2	3/4 NPT TO 1" HOSE
2	036650	COOLER	1	OIL
3	013330	ELBOW	3	MALE 3/8 NPT 90 TO HOSE
4	023567	HOSE	1	OIL
5	013331	ELBOW	1	MALE 3/8 NPT 45 TO HOSE
6	011779	HOSE	12	1" ID WIRE INSERTED - INCHES REQUIRED
7	011405	CLAMP	2	HOSE 16
8	036121	HOSE	1	OIL
9	039155	BRACKET	1	COOLER - SET
10	011411	CLAMP	2	HOSE 32
11	019262	LOCKWASHER	2	M10 DIN 127
12	034590	CAPSCREW	2	M10 X 40 DIN 933
13	031770	LOCKWASHER	6	7/16
14	031656	CAPSCREW	4	7/16NC X 1-1/4
15	039276	STUD	2	7/16NC X 1-3/4
16	031768	NUT	2	7/16NC
17 - 1	038608	GEAR	1	ZF63 2:1
17 - 2	039789	GEAR	1	ZF63 2.5:1
17 - 3	038609	GEAR	1	ZF63 2.8:1
17 - 4	038610	GEAR	1	ZF63A 2:1
17 - 5	038611	GEAR	1	ZF63A 2.5:1
17 - 6	038132	GEAR	1	ZF63IV 2:1
18 - 1	031603	CAPSCREW	2	3/8NC X 3/4
18 - 2	031764	LOCKWASHER	2	3/8
19	039154	BRACKET	1	SHIFT CABLE
20	033482	BALLJOINT	1	SHIFT CABLE
21	031752	LOCKWASHER	1	1/4
22	031754	NUT	1	1/4NF
23	031873	SCREW	2	10-32 X 5/8 SS BINDING HEAD
24	031849	LOCKWASHER	2	10 SS
25	013325	CLAMP	1	SHIFT CABLE
26	013870	SHIM	1	SHIFT CABLE
27		SWITCH	1	NEUTRAL SAFETY

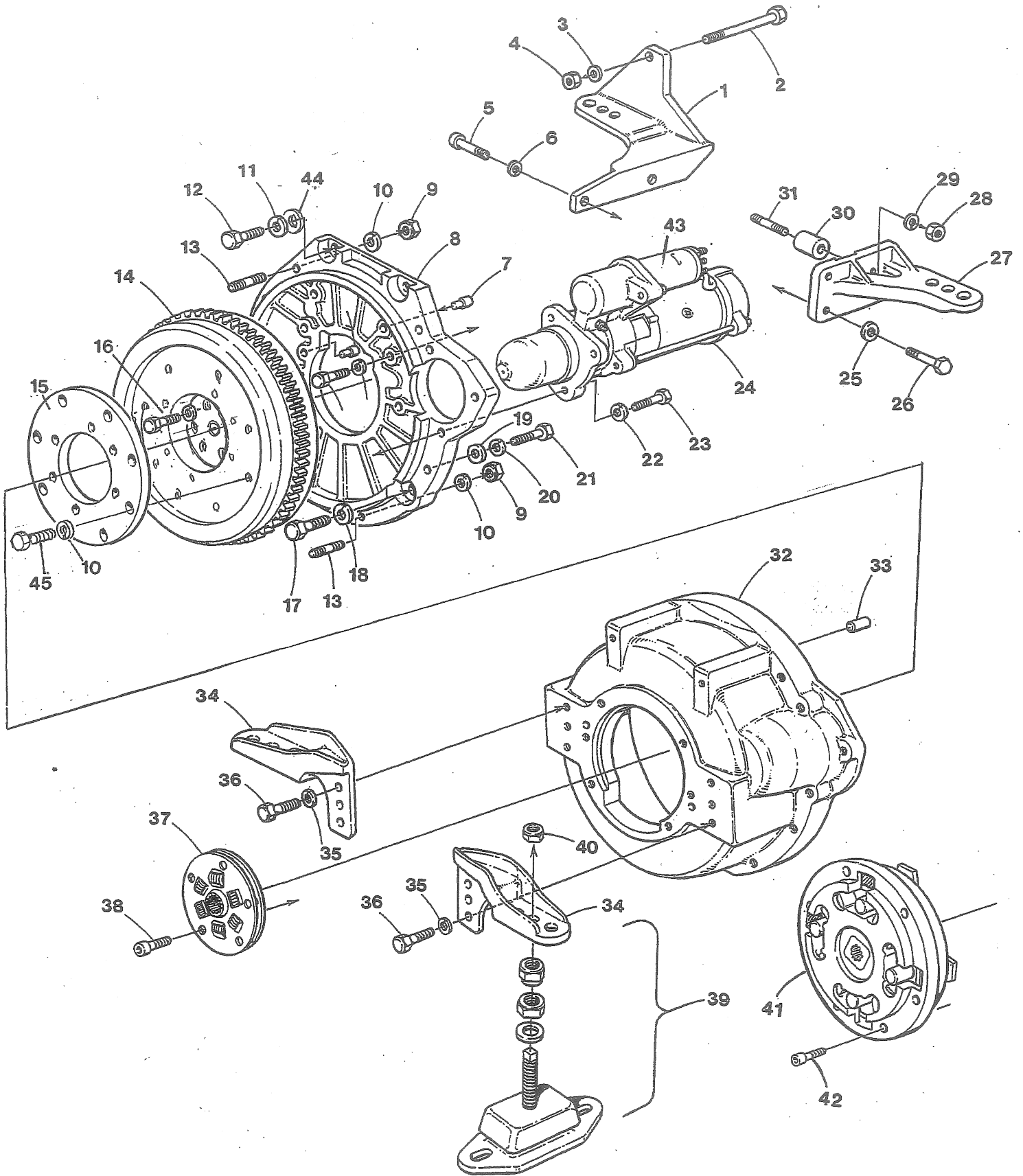
ZF45A TRANSMISSION



ZF45A TRANSMISSION

REF	PN	NAME	QUAN	REMARKS
1	036622	NIPPLE	2	3/4 NPT TO 1" HOSE
2	036650	COOLER	1	OIL
3	013330	ELBOW	3	MALE 3/8 NPT 90 TO HOSE
4	023567	HOSE	1	OIL
5	013331	ELBOW	1	MALE 3/8 NPT 45 TO HOSE
6	011779	HOSE	12	1" ID WIRE INSERTED - INCHES REQUIRED
7	011405	CLAMP	2	HOSE 16
8	036121	HOSE	1	OIL
9	039155	BRACKET	1	COOLER - SET
10	011411	CLAMP	2	HOSE 32
11	019262	LOCKWASHER	2	M10 DIN 127
12	034590	CAPSCREW	2	M10 X 40 DIN 933
13	031770	LOCKWASHER	6	7/16
14	031656	CAPSCREW	4	7/16NC X 1-1/4
15	039276	STUD	2	7/16NC X 1-3/4
16	031768	NUT	2	7/16NC
17 - 1	044882	GEAR	1	ZF45A 2:1
17 - 2	042011	GEAR	1	ZF45A 2.4:1
18 - 1	031603	CAPSCREW	2	3/8NC X 3/4
18 - 2	031752	LOCKWASHER	1	3/4
19	039154	BRACKET	1	SHIFT CABLE
20	033482	BALLJOINT	1	SHIFT CABLE
21	031752	LOCKWASHER	1	1/4
22	031754	NUT	1	1/4NF
23	031873	SCREW	2	10-32 X 5/8 SS BINDING HEAD
24	031849	LOCKWASHER	2	10 SS
25	013325	CLAMP	1	SHIFT CABLE
26	013870	SHIM	1	SHIFT CABLE
27		SWITCH	1	NEUTRAL SAFETY

BACK-END MOUNTING ASSEMBLY



BACK-END MOUNTING ASSEMBLY

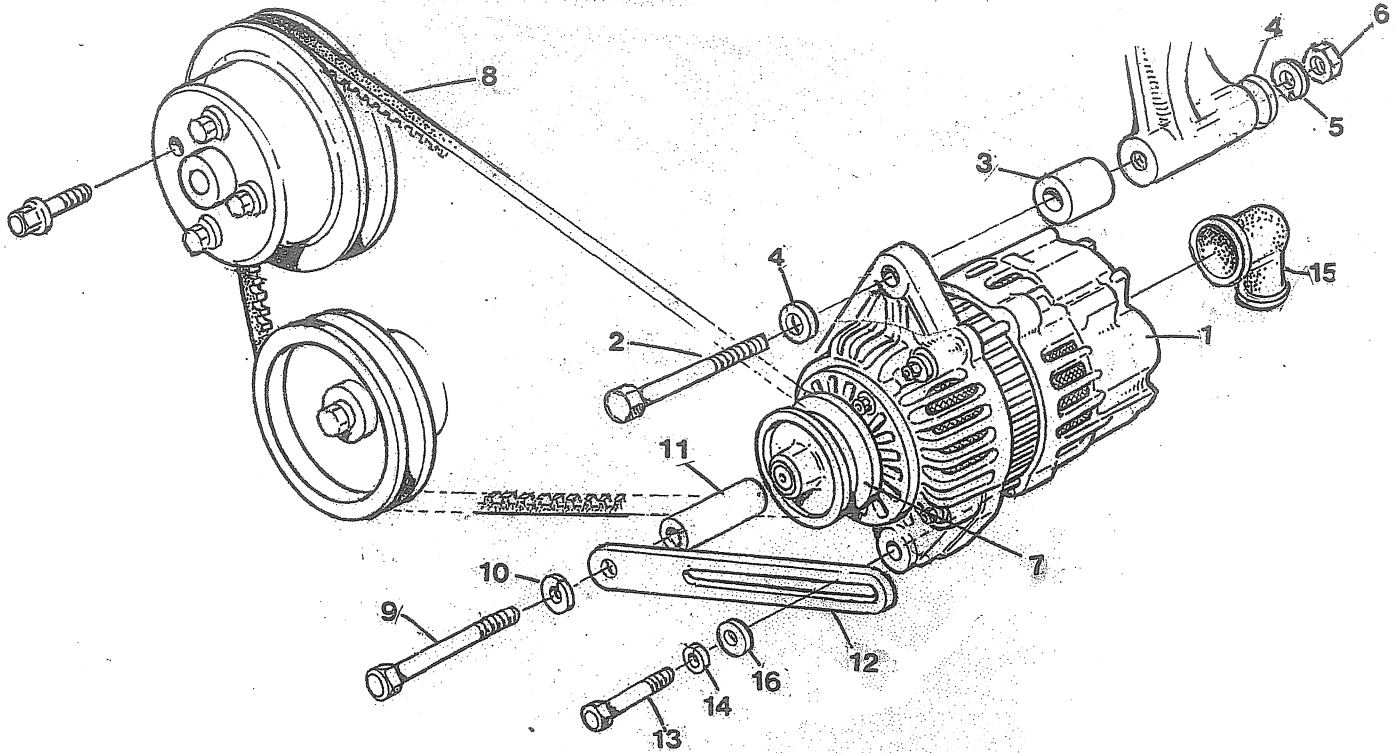
REF	PN	NAME	QUAN	REMARKS
1	054030	MOUNT	1	FRONT LEFT
2	031814	CAPSCREW	1	M 8 X 85 DIN 931
3	031786	LOCKWASHER	1	M 8 X DIN 127
4	018242	NUT	1	M 8 DIN 934
5	031083	CAPSCREW	2	M10 X 1.25 X 30 JIS
6	019262	LOCKWASHER	2	M10 DIN 127
7	031154	DOWEL	2	STEP-BLOCK TO BACKPLATE
8	055357	BACKPLATE	1	
9	015887	NUT	3	M10 DIN 934
10	019262	LOCKWASHER	11	M10 DIN 127
11	031797	LOCKWASHER	2	M14 DIN 127
12	040603	CAPSCREW	4	M14 X 1.5 X 30 DIN 961
13	037821	STUD	3	M10 X 30 DIN 939
14-1	053201	FLYWHEEL	1	INCLUDING RING GEAR
14-2		GEAR	1	RING
15	052642	ADAPTER	1	DAMPER TO FLYWHEEL
16	053135	BOLT	6	FLYWHEEL M15
17	024953	CAPSCREW	2	M10 X 1.25 X 45 DIN 961
18	019262	LOCKWASHER	6	M10 DIN 127
19	031789	WASHER	10	M10 DIN 125
20	019262	LOCKWASHER	4	M10 DIN 127
21	034589	CAPSCREW	4	M10 X 30 DIN 931
22	019262	LOCKWASHER	3	M10 DIN 127
23	013631	CAPSCREW	3	M10 X 55 DIN 933
24	053259	MOTOR	1	STARTER 12 VDC
25	019262	LOCKWASHER	2	M10 DIN 127
26	031083	CAPSCREW	2	M10 X 1.25 X 30 JIS
27	054039	MOUNT	1	FRONT RIGHT
28	031795	NUT	1	M12 X 1.5 DIN 934
29	031792	LOCKWASHER	1	M12 DIN 127
30	040544	SPACER	1	
31	032916	STUD	1	M12 X 1.5 X 48
32	052641	HOUSING	1	FLYWHEEL
33	019039	DOWEL	2	3/8 X 3/4
34	041719	MOUNT	2	REAR
35	019262	LOCKWASHER	6	M10 DIN 127
36	013629	CAPSCREW	6	M10 X 25 DIN 933
37	011618	DAMPER	1	ZF25 OR WARNER
38	024778	CAPSCREW	5	DAMPER TO FLYWHEEL
39	040513	ISOLATOR	4	MARINE 204-36016
40	040966	NUT	4	M16 JAM SELF-LOCKING
41	042107	DAMPER	1	ZF45-ZF63
42-1	013630	CAPSCREW	6	M 8 X 25 DIN 933
42-2	031786	LOCKWASHER	6	M 8 DIN 127
42-3	031787	WASHER	6	M 8 DIN 125
43	053260	SOLENOID	1	STARTER 053259
44	031798	WASHER	2	FLAT M14
45	024952	CAPSCREW	8	M10 X 1.25 X 25MM

OPTIONAL & MISCELLANEOUS PARTS

REF	PN	NAME	QUAN	REMARKS
1	053101	KIT A	1	SPARE PARTS
2	053102	KIT B	1	SPARE PARTS EXTENDED CRUISING
3	055708	GASKET SET	1	UPPER
4	055709	GASKET SET	1	COMPLETE
5	054849	KIT	1	HOSE
6	050127	STRAINER	1	SEA WATER 3/4 NPT
7	044010	VALVE	1	ANTI-SIPHON
8	013758	PAINT	1	RED AEROSOL SPRAY CAN
9	020654	SPLITTER	1	ALTERNATOR OUTPUT
10 - 1	030760	HARNESS	1	15 FOOT PANEL EXTENSION 8 PIN
10 - 2	036557	HARNESS	1	15 FOOT PANEL EXTENSION 4 PIN
11	054372	FILTER	1	REMOTE LUBE OIL
12	042307	PAINT	1	WHITE AEROSOL SPRAY CAN
13	041394	KIT	1	FUEL HARDWARE
14	054218	MANUAL	1	OPERATOR 65A-65B FOUR
15	053017	MANUAL	1	SERVICE
16	041605	MUFFLER	1	HYDRO-HUSH FIBERGLASS
17	024177	KIT	1	REMOTE FRESH WATER SURGE TANK

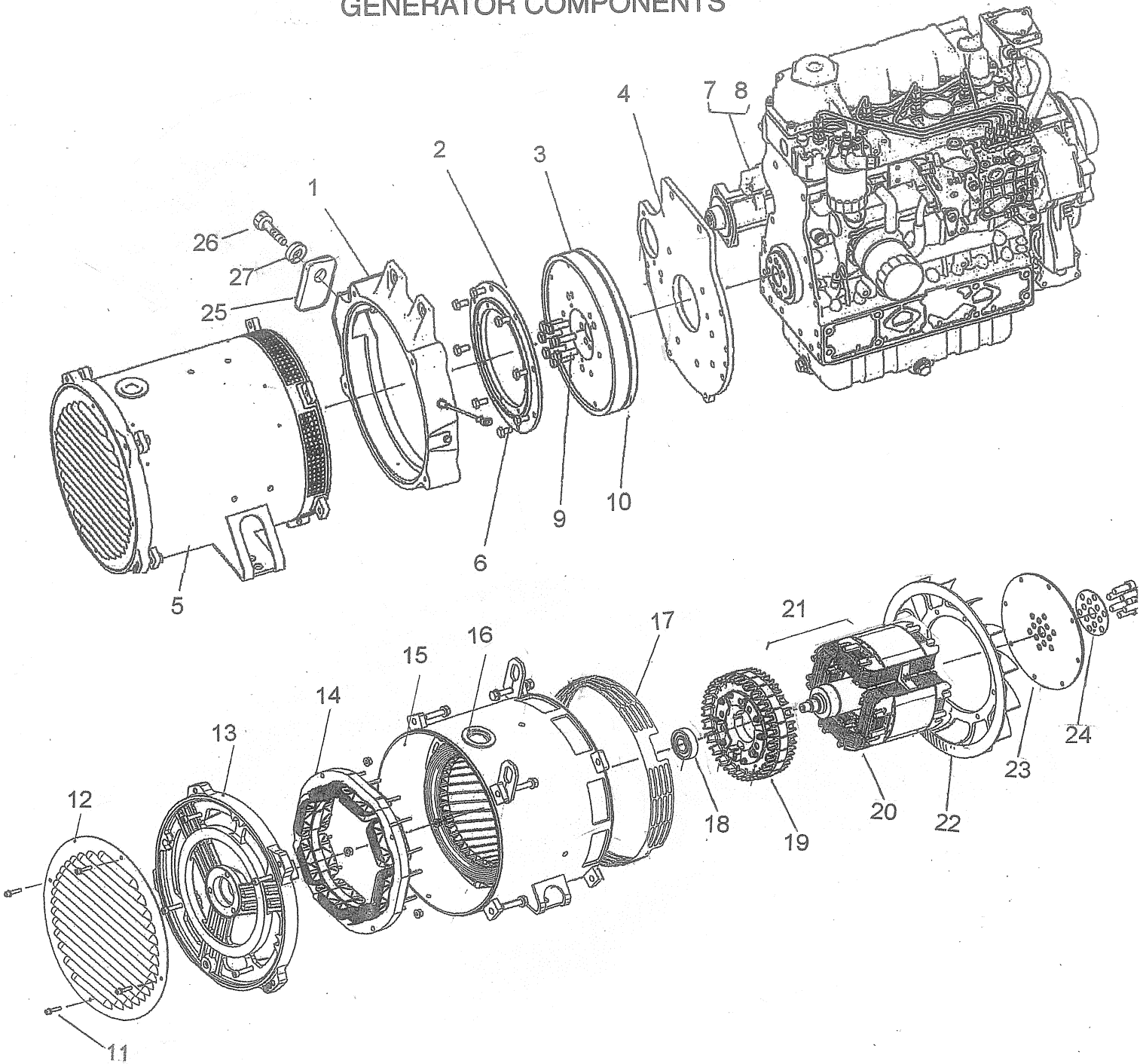
29.0 EGED and 23.0 EGED GENERATOR PARTS

50 AMP 12V ALTERNATOR ASSEMBLY



REF	PN	NAME	QUAN	REMARKS
1	043953	ALTERNATOR	1	50 AMP-12VDC
2	055414	CAPSCREW	1	M10 X 1.25 X 130MM
3	055413	SPACER	1	ALT MOUNTING
4	031789	WASHER	1	M10
5	019262	LOCKWASHER	1	M10
6	015887	NUT	1	M10
7	055412	PULLEY	1	ALT DRIVE
8	053308	BELT	1	COG
9	031816	CAPSCREW	1	M8 X 1.25 X 100MM
10	031786	LOCKWASHER	1	M8
11	055415	SPACER	1	ADJUSTING STRAP
12	035338	STRAP	1	ALT ADJUSTING
13	013619	CAPSCREW	1	M8 X 1.25 X 30MM
14	031786	LOCKWASHER	1	M8
15	031086	BOOT	1	ALT + OUTPUT
16	031787	WASHER	1	M8 FLAT

GENERATOR COMPONENTS



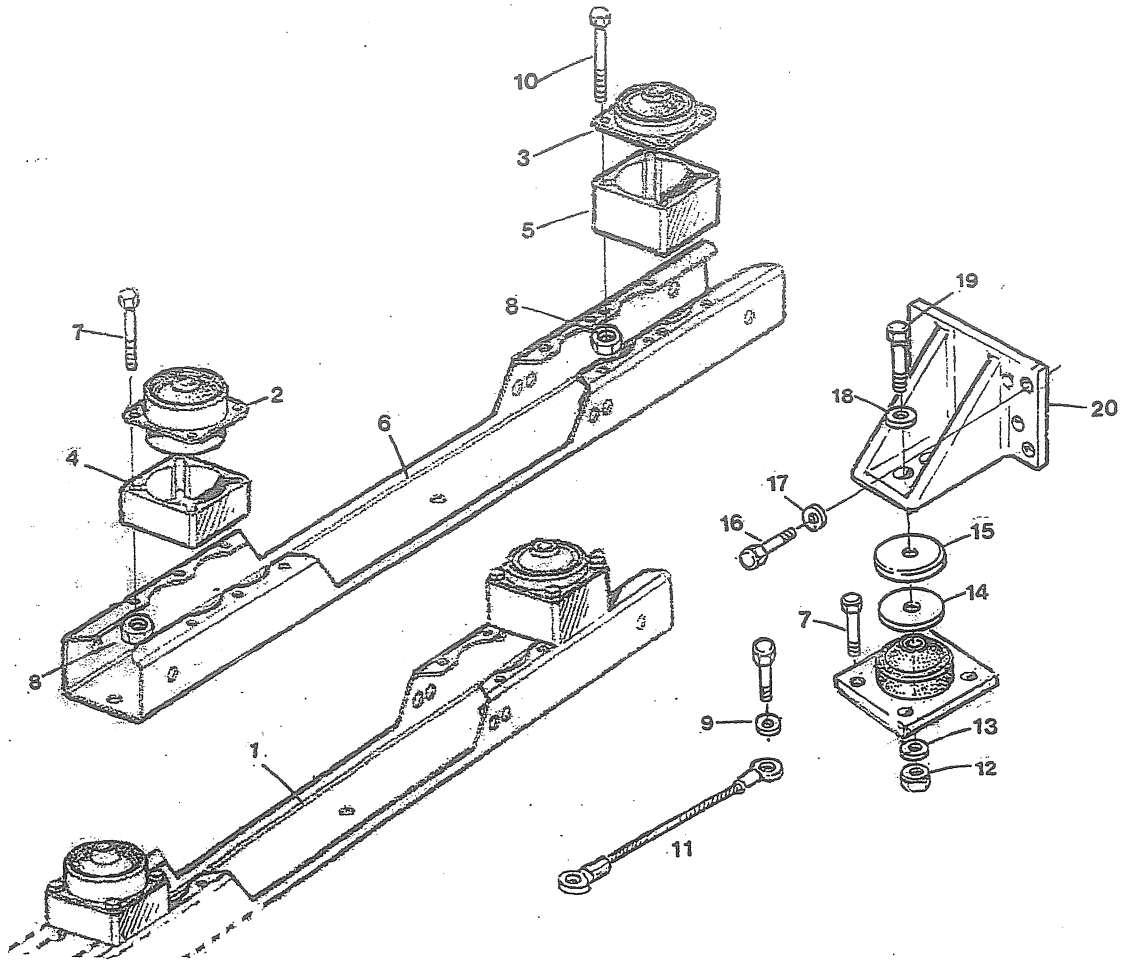
GENERATOR COMPONENTS

REF	PN	NAME	QUAN	REMARKS
1	052590	HOUSING	1	FLYWHEEL
2	052684	ADAPTER	1	GEN TO FLYWHEEL
3	053201	FLYWHEEL	1	ASSEMBLY
4	055357	PLATE	1	BACK
5	053337	GENERATOR	1	BE 3 PHASE ASSY
6	024952	CAPSCREW	8	M10 X 1.25 X 25MM
7-1	053259	MOTOR	1	STARTER 12 VDC
7-2	053899	MOTOR	1	STARTER 24 VDC
8-1	053260	SOLENOID	1	STARTER #053259
8-2	055297	SOLENOID	1	STARTER #053899
9	053135	BOLT	7	FLYWHEEL TO CRANKSHAFT
10	054978	GEAR	1	RING
11-1	013590	CAPSCREW	4	M6 X 1.0 X 30MM
11-2	031839	LOCKWASHER	4	M6
12	055479	COVER	1	ALTERNATOR END
13	055400	HOUSING	1	REAR
14	055397	STATOR	1	EXCITER
15	055396	STATOR	1	ASSY (INCL. #12-#17)
16	055382	GROMMET	1	PROTECTIVE
17	055477	GUARD	1	AIR DISCHARGE
18	055478	BEARING	1	ROTOR SUPPORT
19	052048	DIODE	3	ASSEMBLY
20	055398	ROTOR	1	EXCITER
21	055393	ARMATURE	1	ASSY (INCL. #19-#24)
22	055401	FAN	1	ALTERNATOR COOLING
23	055476	PLATE	4	DRIVE DISC
24	054362	PLATE	1	DRIVE DISC SUPPORT
25	053857	COVER	1	TIMING PORT
26	031501	CAPSCREW	1	1/4NC X 1/2
27-1	031752	LOCKWASHER	1	1/4 SPLIT
27-1	031753	WASHER	1	1/4 FLAT

***NOT SHOWN ON ILLUSTRATION:**

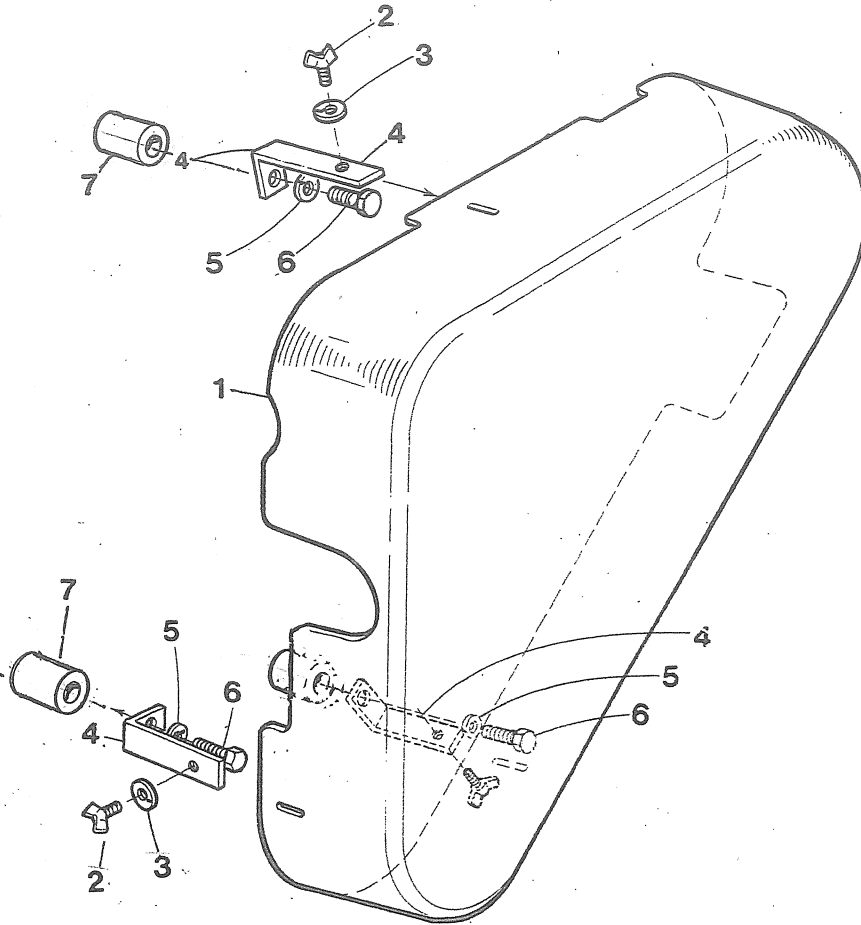
040603	CAPSCREW	2	M14 X 1.5 X 45MM
031797	LOCKWASHER	2	M14
031798	WASHER	2	M14 FLAT
013629	CAPSCREW	7	M10 X 1.50 X 25MM
019262	LOCKWASHER	7	M10
034589	CAPSCREW	4	M10 X 1.50 X 30MM
299031	CAPSCREW	8	M8 X 1.25 X 20MM

GENERATOR MOUNTS



REF	PN	NAME	QUAN	REMARKS
1 - 1	052914	RAIL ASSY	1	LEFT (INC. 1-10)
1 - 2	052915	RAIL ASSY	1	RIGHT (INC. 1-11)
2	015239	ISOLATOR	2	REAR
3	301136	ISOLATOR	2	FRONT
4	037792	SPACER	2	ISOLATOR TO RAIL (REAR)
5	053497	SPACER	2	ISOLATOR TO RAIL (FRONT)
6	052913	RAIL	2	MOUNTING 35.88" LONG
7	031559	CAPSCREW	8	5/16NC X 2" (REAR)
8	200127	NUT	16	5/16-18 NC KEPS
9	031759	WASHER	1	5/16 FLAT
10	031561	CAPSCREW	8	5/16 X 2-1/2" (FRONT)
11	034713	STRAP	1	GROUND-ENGINE TO RAIL
12	031744	NUT	4	1/2-13 NC
13	031776	LOCKWASHER	4	1/2" SPLIT
14	024674	WASHER	4	ISOLATOR SNUBBING
15	033530	SHIELD	2	ISOLATOR (FRONT)
16	024959	CAPSCREW	8	M12 X 1.25 X 25MM
17	031792	LOCKWASHER	8	M12 SPLIT
18	031777	WASHER	2	1/2" FLAT (REAR ONLY)
19 - 1	031714	CAPSCREW	2	1/2NC X 3-1/4 (REAR)
19 - 2	031717	CAPSCREW	2	1/2NC X 4" (FRONT)
20	052655	MOUNT	2	FRONT

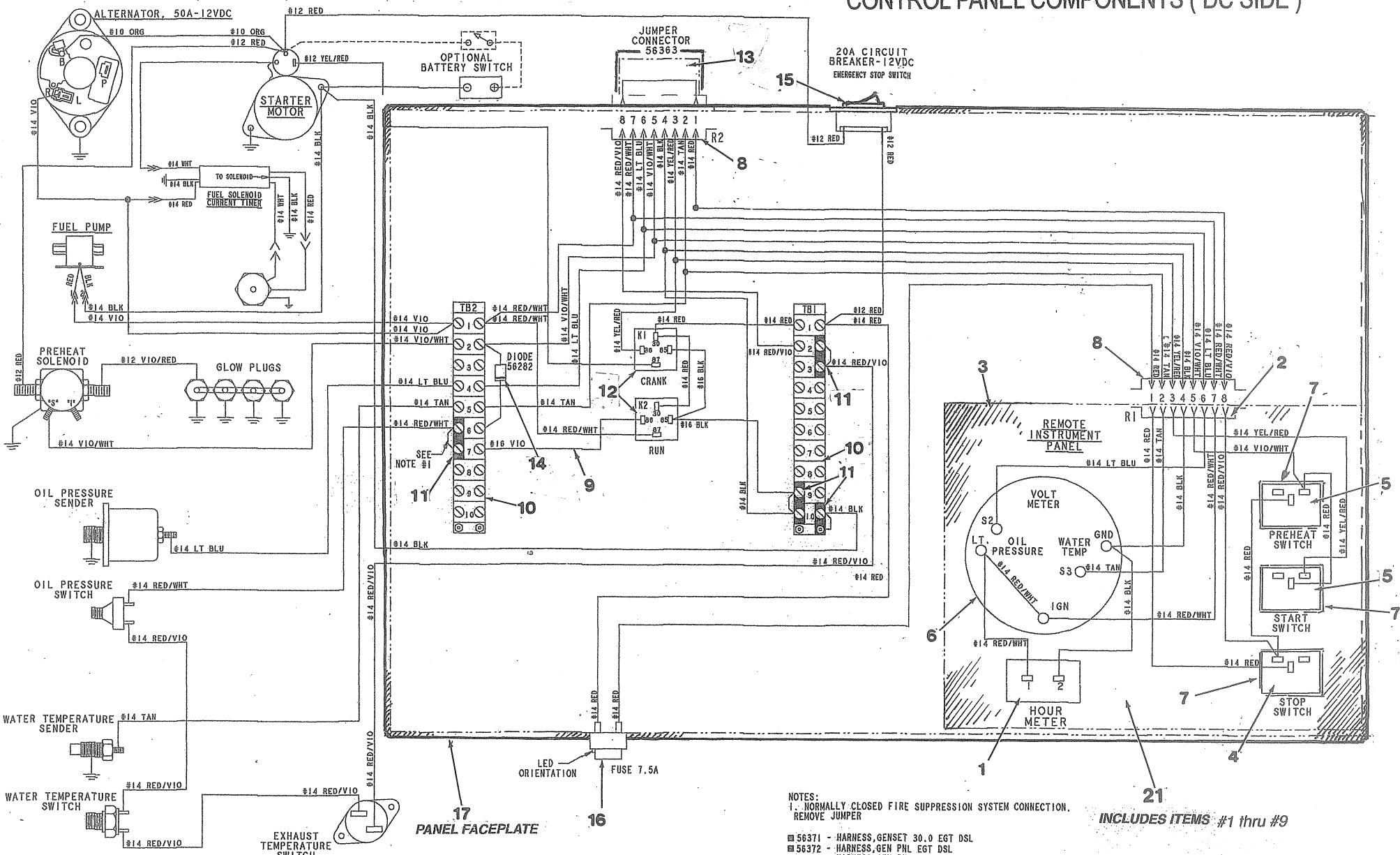
FRONT BELT COVER- GENERATOR



REF	PN	NAME	QUAN	REMARKS
1	052656	GUARD	1	BELT
2	033228	WINGSCREW	3	10-32 X 1/2
3-1	031849	LOCKWASHER	3	#10
3-2	033372	WASHER	3	#10 FLAT
4	052905	BRACKET	3	BELT GUARD
5	031786	LOCKWASHER	3	M8
6	031814	CAPSCREW	3	M8 X 1.25 X 25MM
7	052916	SPACER	3	BELT GUARD BRACKET

GENERATOR / ENGINE...ELECTRICAL SYSTEM

CONTROL PANEL COMPONENTS (DC SIDE)



NOTES:
 1. NORMALLY CLOSED FIRE SUPPRESSION SYSTEM CONNECTION.
 REMOVE JUMPER

- 56371 - HARNESS, GENSET 30.0 EGT DSL
- 56372 - HARNESS, GEN PNL EGT DSL
- 56405 - HARNESS, GEN PNL 5.5, 8-15 EG
- 56240 - HARNESS, INSTR PNL EG DSL
- 15223 - JUMPER, TERMINAL BLOCK 20 AMP

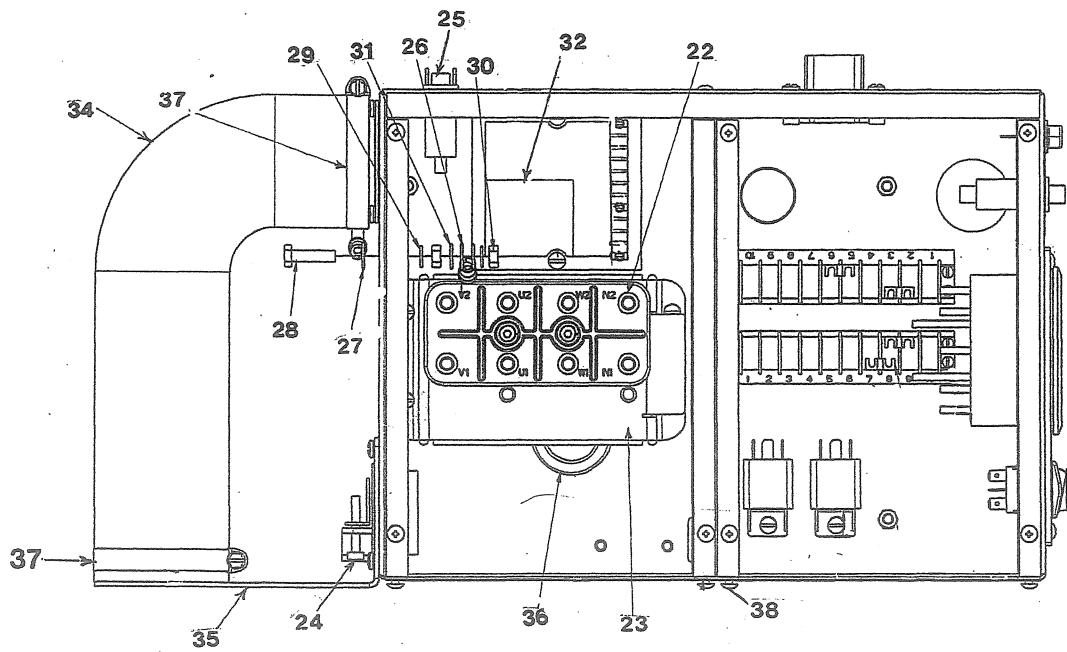
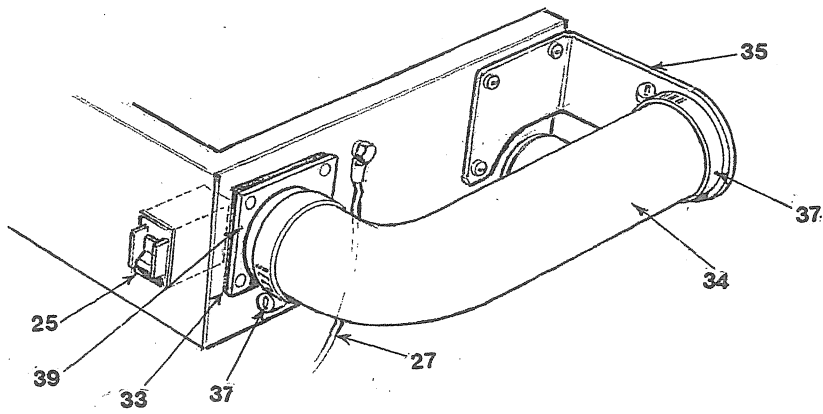
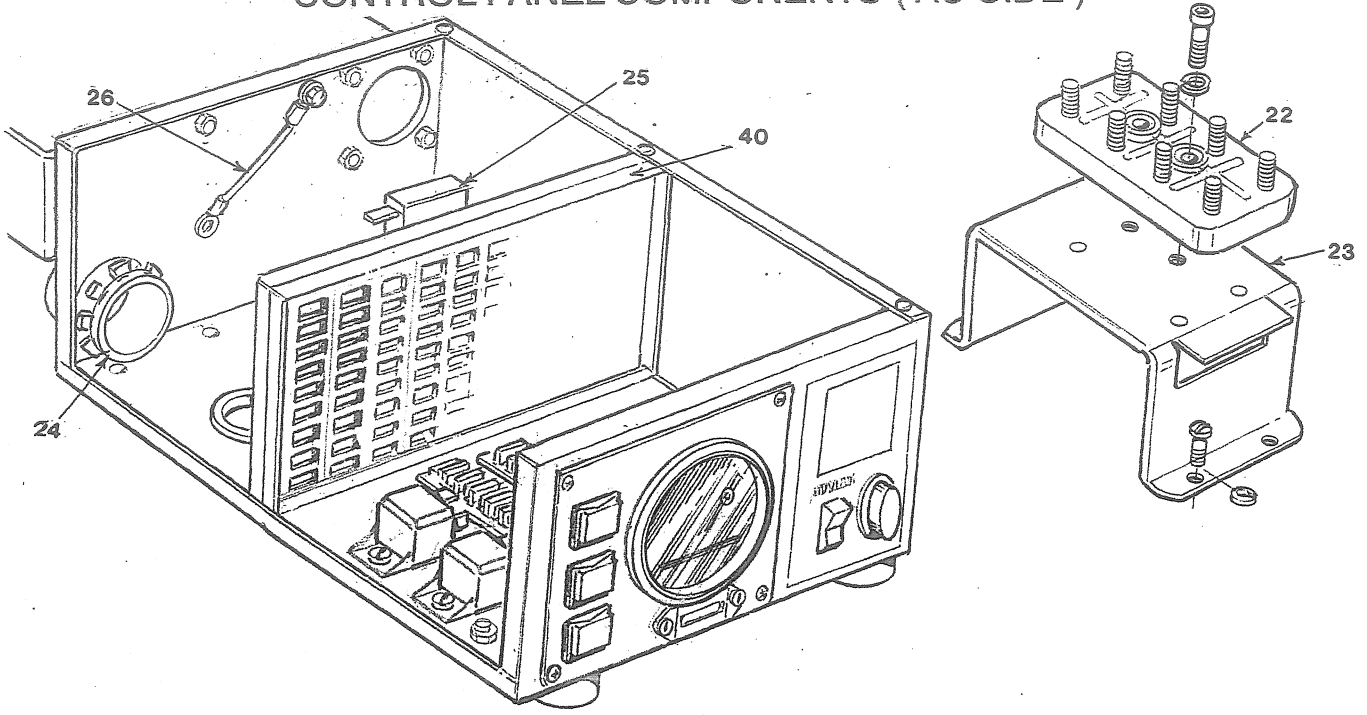
INCLUDES ITEMS #1 thru #9

CONTROL PANEL COMPONENTS (DC SIDE)

REF	PN	NAME	QUAN	REMARKS
1-1	043835	METER	1	HOUR 12-40 VDC
1-2	050234	NUT	2	6-32 KEPS
1-3	056312	SCREW	2	6-32 PHILIPS - BLACK
2	056240	HARNESS	1	GAUGE PANEL
3	056245	FACEPLATE	1	GAUGE PANEL
4	056253	SWITCH	1	ROCKER (STOP)
5	056254	SWITCH	2	ROCKER (START/PREHEAT)
6	056260	METER	1	OIL-WATER-DC VOLTS
7	056280	GASKET	3	ROCKER SWITCH
8	056405	HARNESS	1	DC CONTROL PANEL
9	056372	HARNESS	1	DC CONTROL PANEL
10	039928	BLOCK	2	TERMINAL 10 POS
11	015223	JUMPER	4	TERMINAL BLOCK
12	037833	RELAY	2	12 VDC / 40 AMP
13	056363	CONNECTOR	1	FEM/W JUMPER
14	056282	DIODE	1	BLOCKING/1 AMP-600V
15	052732	BREAKER	1	DC 20 AMP
16-1	056252	FUSE	1	7.5 AMP-32V
16-2	056250	HOLDER	1	FUSE ATC 30 AMP LED
17-1	056270	BOX	1	CONTROL PANEL AC/DC
17-2	052995	COVER	1	TOP-DC SIDE
18	036652	ISOLATOR	4	CONTROL BOX - M6 STUD
19	023937	BUSHING	1	HARNESS PROTECTOR
20	052989	DIVIDER	1	PANEL BOX
21	056246	PANEL	1	DC CONTROL - COMPLETE (ITEMS #1-#9)

Not shown -

CONTROL PANEL COMPONENTS (AC SIDE)



TOP VIEW OF THE CONTROL PANEL BOX

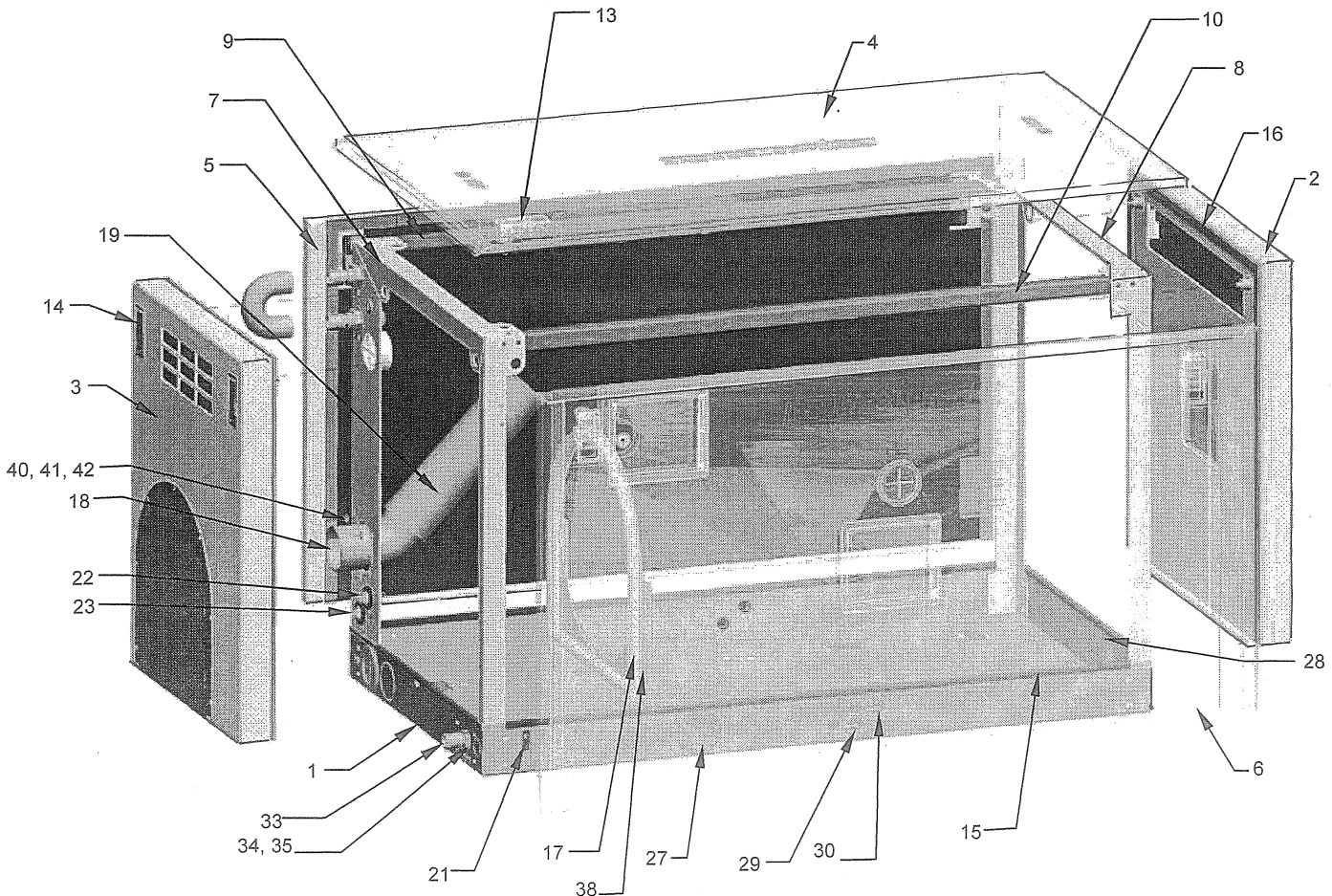
CONTROL PANEL COMPONENTS (AC SIDE)

REF	PN	NAME	QUAN	REMARKS
22	052945	BLOCK	1	TERMINAL 8 POS
23	052998	BRACKET	1	TERMINAL BLOCK
24	041462	CONNECTOR	1	BOX 1-1/2 DIA INSULATED
25	053633	BREAKER	1	DC FIELD - 3 AMP
26	052969	WIRE	1	PANEL BOX TO GRD STUD
27	052968	WIRE	1	PANEL BOX TO GROUND
28	038622	CAPSCREW	1	1/4 NC X 1 BRONZE
29	032493	LOCKWASHER	2	1/4 BRONZE
30	032498	NUT	2	1/4-20 BRONZE
31	032499	WASHER	2	1/4 FLAT - BRONZE
32	055399	REGULATOR	1	VOLTAGE
33	053044	GASKET	1	PANEL BOX AIR INLET
34	052935	HOSE	1	PANEL BOX AIR INLET
35	052997	BRACKET	1	SCREEN INLET
36	046802	GROMMET	1	AC INLET
37	022559	CLAMP	2	HOSE #40
38	031891	SCREW	24	8-32 X 3/8 TRUSS HEAD
39	053043	BRACKET	1	PANEL AIR INLET
40	052989	DIVIDER	1	PANEL BOX AC/DC

SOUND GUARD SST #53070

When ordering parts, provide Part Number, Name and Quantity for each part needed.

REF.	PART #	PART NAME	QTY	REF.	PART #	PART NAME	QTY
1	53067	Base (includes connectors)	1	22	49546	Terminal, Battery Pos.	1
2	49585	Panel, Front	1	23	49544	Terminal, Battery Neg.	1
3	53019	Panel, Rear	1	24	49661	Cable, Ground	1
4	49590	Panel, Top	1	25	49902	Cable, Battery Pos.	1
5	53052	Panel, Side	1	26	49903	Cable, Battery Neg.	1
6	53050	Panel, Service Side	1	27	39498	Grommet, Neoprene	2
7	53056	Frame, Rear	1	28	42806	Plug, Drain Hose Access	1
8	49573	Frame, Front	1	29	49545	1/8 NPT Bulkhead Fitting	2
9	49575	Frame, Support	1	30	48484	Elbow, 1/8 NPT x 1/4 Hose	5
10	53054	Frame, Support Service Side	1	31	22927	Hose, Fuel 1/4 ID	as req.
11	49535	Screw, 10-32 x 1/2 flat head	12	32	24906	Clamp, Fuel Hose	4
12	49536	Screw, 10-32 x 3/8 hex slot	16	33	48193	1/2 NPT Bulkhead Fitting	3
13	49540	Latch Assembly	8	34	36618	Nipple, 1/2 NPT x 1 Hose	5
14	49537	Latch Assembly (front & rear panel)	4	35	36616	Elbow, 1/2 NPT x 1 Hose	1
15	49547	Gasket, Base Edge	as req.	36	11779	Hose 1" Wire Inserted	as req.
16	43248	Gasket, Panel Edge	as req.	37	11405	Clamp, Raw Water Hose	8
17	43574	Gasket, Air Dam	as req.	38	53084	Air Dam (includes gasket)	1
18	52040	Elbow, Exhaust Outlet 3"	1	39	49762	Kit, Exhaust Elbow 45 deg	1
19	53057	Hose, Exhaust 3" ID	1	40	52056	Capscrew, 1/4-20 x 1/2" hex head	4
20	11505	Clamp, Exhaust Hose	4	41	52055	Lock washer, 1/4	4
21	49543	Terminal, Ground Lug	1	42	52054	Flat washer, 1/4	4



IMPORTANT

Product Software Disclaimer

Product software of all kinds such as brochures, drawings, technical data, operator's and workshop manuals, parts lists and parts price lists, and other information, instructions and specifications provided from sources other than Westerbeke, is not within Westerbeke's control and, accordingly, is provided to Westerbeke customers only as a courtesy and service. Westerbeke cannot be responsible for the content of such software, makes no warranties or representations with respect thereto, including the accuracy, timeliness or completeness thereof, and will in no event be liable for any type of damages or injury incurred in connection with, or arising out of, the furnishing or use of such software.

For example, components and subassemblies incorporated in Westerbeke's products and supplied by others (such as engine blocks, fuel systems and components, transmissions, electrical components, pumps and other products) are generally supported by their manufacturers with their own software, and Westerbeke must depend on such software for the design of Westerbeke's own product software. Such software may be outdated and no longer accurate. Routine changes made by Westerbeke's suppliers, of which Westerbeke rarely has notice in advance, are frequently not reflected in the supplier's software until after such changes take place.

Westerbeke customers should also keep in mind the time span between printings of Westerbeke product software, and the unavoidable existence of earlier, non-current Westerbeke software editions in the field. Additionally, most Westerbeke products include customer-requested special features that frequently do not include complete documentation.

In summation, product software provided with Westerbeke products, whether from Westerbeke or other suppliers, must not and cannot be relied upon exclusively as the definitive authority on the respective product. It not only makes good sense but is imperative that appropriate representatives of Westerbeke or the supplier in question be consulted to determine the accuracy and currency of the product software being consulted by the customer.



